



Lighting Catalog

(Pictures, Materials and Rates)



This Page Intensionally Left Blank

Index

<u>Description</u>	<u>Page</u>
Index	i - ii
GRU Rental Rates Classes	1
GRU Rental Light Selection	2, 3
GRU Light & Pole Types Quick Reference	4 - 6
Lighting Definitions	7
GRU Rental Light Rates	8 - 11
GRU Rental Light Rate Matrix	12
GRU Light Manufacturer Information	13
GRU Pole Manufacturer Information	14
LED “Full Cutoff“ Roadway Light (Photo)	16
LED Roadway Cutoff 1 - Gray	17
LED Roadway Cutoff 2 - Gray	18
LED Roadway Cutoff 3 - Gray	19
LED Roadway Cutoff 4 - Gray	20
Concrete Poles	21
Woods Poles	22
LED Black “Full Cutoff ‘ Roadway Light (Photo)	24
LED Roadway Cutoff 2 - Black	25
LED Roadway Cutoff 3 - Black	26
LED Roadway Cutoff 4 - Black	27
Concrete Pole Black 35’ (30’ Mounting Height) Specifications	28
Concrete Pole Black 35’ (30’ Mounting Height) Drawing	29
Concrete Pole Black 40’ (35’ Mounting Height) Specifications	30
Concrete Pole Black 40’ (35’ Mounting Height) Drawing	31
LED Round Roadway Light - Black (Photo)	32
LED Round Roadway Light	33
Aluminum Pole 30’ Black Round Non-Tapered	34
Square Concrete Pole Foundation	35
Round Concrete Pole Foundation	36

Index cont.

<u>Description</u>	<u>Page</u>
LED Pendant Roadway Light (Photo)	38
LED Pendant Roadway Light	39
Steel Pole 18' Black "Bottleneck" Specifications	40
Steel Pole 18' Black "Bottleneck" Drawing	41
Square Concrete Pole Foundation	42
Round Concrete Pole Foundation	43
LED Small Pendant Pedestrian Light (Photo)	44
LED Small Pendant Pedestrian Light	45
Steel Pole 12' Black Specifications	46
Steel Pole 12' Black Drawing	47
Round Concrete Pole Foundation	48
LED Acorn Pedestrian Light (Photo)	50
LED Acorn Pedestrian Light	51
Concrete Pole 10' (nominal) Black Decorative	52
LED Teardrop Roadway Light (Photo)	54
LED Teardrop Roadway Light	55
2'-0" and 4'-0" Mounting Arm Bracket Specifications	56
Steel Pole 26' Black "Bottleneck"	57
2'-0" Mounting Arm Bracket Drawing	58
4'-0" Mounting Arm Bracket Drawing	59
Square Concrete Pole Foundation	60
LED Floodlights (Photo)	62
LED Floodlight 1 (Residential-Backyard)	63
LED Floodlight 2	64
LED Floodlight 3	65
Concrete Poles	66
Woods Poles	67

GRU RENTAL LIGHT RATE CLASSES

* **Light Rate Classes:**

All GRU Rental Lights covered under the "Light Rate Classes" listed below are owned by GRU. Lights installed behind a meter are private lights owned by the customer.

- 1) Public Street Light Rate Class (Non-Contributed): This class of light rates are lights used by a governmental body, mainly the City of Gainesville or Alachua County Board of Commissioners (Public Works) which pays the monthly rental rate. The monthly Public Street Light Rate includes all materials including wire, the cost of installation, maintenance and energy of the light(s). The rental rate for lights does not include the rental rate of a **pole to support the light. If a pole is necessary to support a rental light a separate pole rental rate shall be charged in addition to light rental rate. The monthly Pole Rental Rate includes all materials including wire, the cost of installation and maintenance of the pole(s). The pole shall also be rented under this same class.

- 2) Public Agency Light Rate Class (Contributed): This class of light rates are lights used by a governmental body, mainly the City of Gainesville or Alachua County Board of Commissioners (Public Works), and the monthly rental rate is paid for by the Public Agency. The Public Agency monthly rate, which allows the agency to "Buy Down" the rental rate, includes the energy charge and normal maintenance cost ONLY. The rates for lights do not include the installation of **poles. The installation cost (materials, including wire, GRU engineering, construction cost and overheads) for lights and poles (if needed) shall be paid for up front by the governmental body responsible for the monthly rental charges prior to installation by GRU. **The ownership of the lights and poles remains with GRU.**

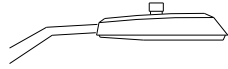
3) Rental Light Rate Class (Non-Contributed): This class of light rates are lights used by a commercial, industrial or residential customer where the monthly rental rate is paid for by the customer. The monthly Rental Light Rate includes all materials including wire, the cost of installation, maintenance and energy of the light(s). The rental rate for lights does not include the rental rate of a **pole to support the light. If a pole is necessary to support a rental light a separate pole rental rate shall be charged in addition to light rental rate. The monthly Pole Rental Rate includes all materials including wire, the cost of installation and maintenance of the pole(s). The pole shall also be rented under this same class.

4) Rental Agency Light Rate Class (Contributed): This class of light rates are lights used by a commercial, industrial or residential customer and the monthly rental rate is paid for by the customer. The Rental Agency monthly rate, which allows the agency to "Buy Down" the rental rate, includes the energy charge and normal maintenance cost ONLY. The rates for lights do not include the installation of **poles. The installation cost (materials, including wire, GRU engineering, construction cost and overheads) for lights and poles (if needed) shall be paid for up front by the customer responsible for the monthly rental charges prior to installation by GRU. **The ownership of the lights and poles remains with GRU.**

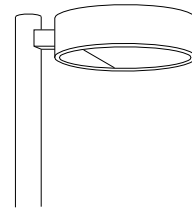
* **All Light Rate Classes do not include Poles, fuel adjustments, taxes or fees.**

** **GRU Rental Lights may be installed on GRU distribution poles or GRU Rental Light Poles ONLY.**

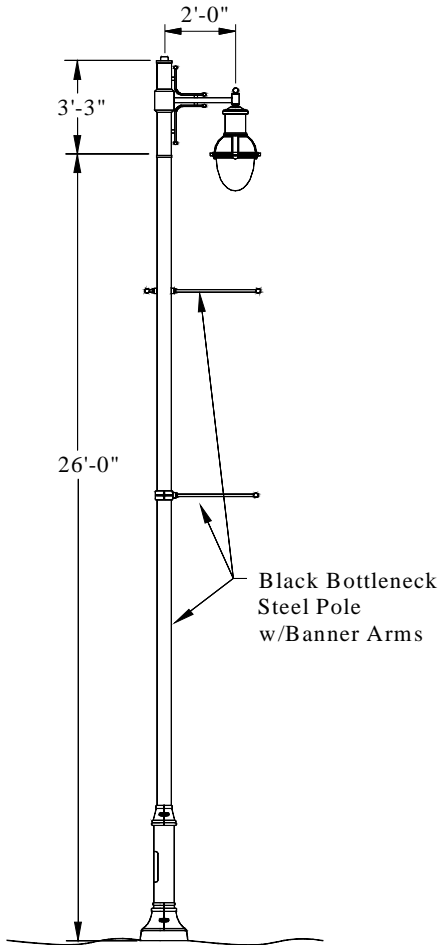
GRU RENTAL LIGHT SELECTIONS



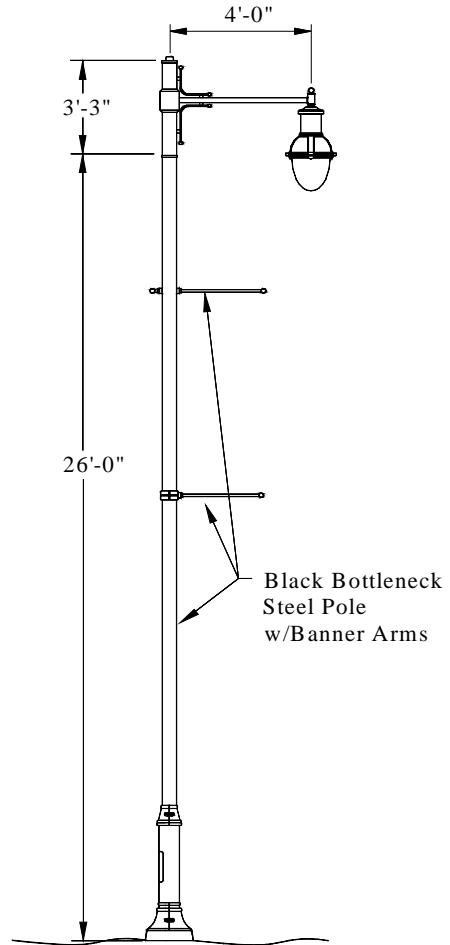
LED Roadway Cutoff Light
(gray & black)
(Light Types L38, L39, L40, L41,
L42, L43, L44)



LED Round Roadway
Light
w/Aluminum Pole (Black)
(Light Type L51: Pole Type P11)



LED Teardrop Light
w/ 2'-0" Mounting Arm Bracket
and 26' Black Bottleneck Pole
(Light Type L53; Pole Type P7)

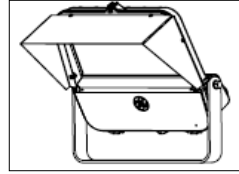


LED Teardrop Light
w/ 4'-0" Mounting Arm Bracket
and 26' Black Bottleneck Pole
(Light Type L54; Pole Type P7)

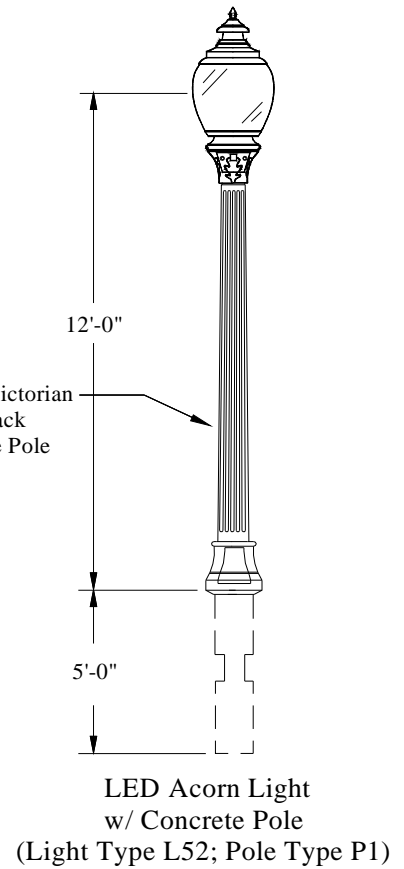
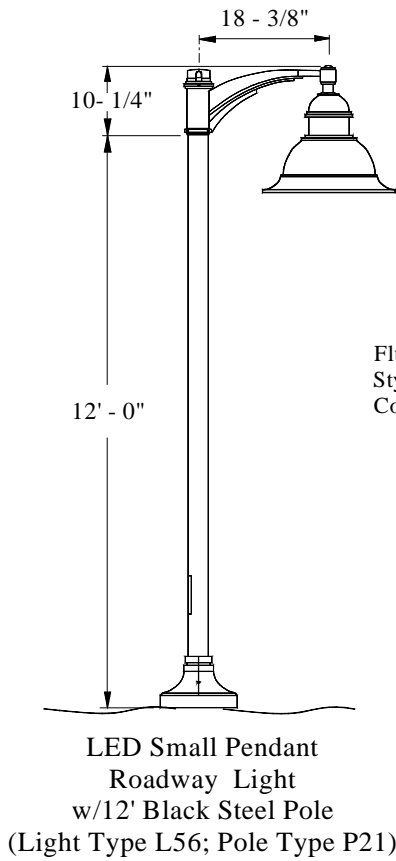
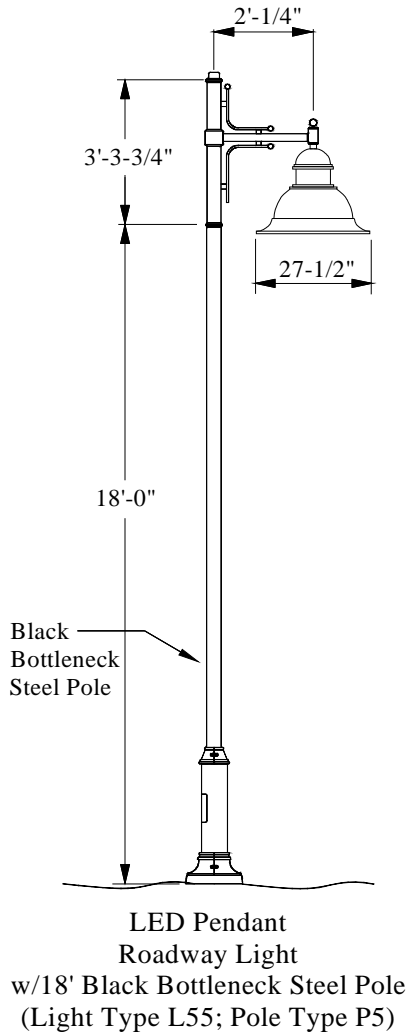
GRU RENTAL LIGHT SELECTIONS



LED Floodlight with Shield
(Light Type L57)









LED Floodlight with Shield
(Light Types L58, L59)







GRU LIGHT & POLE TYPES QUICK REFERENCE

GRU Lighting Type Sheet	Light Type	Photo
LED Roadway Cutoff 1 - Gray	L38	
LED Roadway Cutoff 2 - Gray	L39	
LED Roadway Cutoff 3 - Gray	L40	
LED Roadway Cutoff 4 - Gray	L41	
LED Roadway Cutoff 2 - Black	L42	
LED Roadway Cutoff 3 - Black	L43	
LED Roadway Cutoff 4 - Black	L44	
LED Teardrop 2 Roadway Light (2ft Arm) - Black	L53	
LED Teardrop 4 Roadway Light (4ft Arm) - Black	L54	
LED Round Roadway Light (Hockey Puck) - Black	L51	
LED Pendant Roadway Light - Black	L55	
LED Acorn Pedestrian Light - Black	L52	
LED Small Pendant Pedestrian Light - Black	L56	
LED Floodlight 1 (Residencial), - Gray	L57	
LED Floodlight 2 - Gray	L58	
LED Floodlight 3 - Gray	L59	

GRULIGHT & POLE TYPES QUICK REFERENCE

GRU Pole Type Sheet	Pole Type	Photo
10 ft Direct Buried Decorative Black Concrete Pole for Light Types L29, L30 and L52	P1	
30 ft Concrete Pole 35 ft Concrete Pole 40 ft Concrete Pole 45 ft Concrete Pole	P9 P13 P16 P19	
35 ft Octagonal Black Concrete Pole (30' mounting) for Light Types L42 and L43	P14	
40 ft Octagonal Black Concrete Pole (35' mounting) for Light Types L43 and L44	P17	
30 ft Fiberglass Break-a-way Pole	P10	
18 ft Steel Domus/LED Pendant Roadway Light Black pole for Light Type L27 and L55	P5	

GRULIGHT & POLE TYPES QUICK REFERENCE

GRU Pole Type Sheet	Pole Type	Photo
26 ft Steel Renaissance/LED Teardrop 2 & 4 Roadway Black Pole for Light Types L33, L34, L53 and L54	P7	
30 ft wood Pole 35 ft wood Pole 40 ft wood Pole 45 ft Wood Pole	P8 P12 P-15 P18	
12 ft Steel Small Domus/LED Small Pendant Pedestrian Light Black pole for Light Types L38 and L56	P21	
30 ft Non-Tapered Round Black pole for Light Type L17	P11	

Lighting Definitions:

Cutoff -	light or luminaire that describes a luminaire having a light distribution in which the candela per 1000 lamp lumens does not numerically exceed 25 (2.5%) at or above an angle of 90° above nadir, and 100 (10%) at or above a vertical angle of 80° above nadir. This applies to all lateral angles around the luminaire.
Fixture -	same as luminaire and light - main housing, lamp and photoelectric control (photo cell, sun switch)
Floodlight -	Flood Light
H.P.S. -	High Pressure Sodium - type of lamp (this light type is no longer available)
LED -	light-emitting diode - light type
Light -	same as luminaire and fixture - main housing, lamp and photoelectric control (photo cell, sun switch)
Luminaire -	same as light and fixture - main housing with light source and photoelectric control (photo cell, sun switch)
M.H. -	Metal Halide - type of lamp (this light type is no longer available)
Pedestrian -	areas used by walking traffic
Roadway -	areas used by automobile traffic

Rental Light Rate Class -
(Commercial & Residential - Non-Contributed)

Light Type ***Monthly**
Rate

Roadway Lights:

LED Roadway Cutoff 1 (gray) (3000K) (Light Type L38)	\$ 13.42
LED Roadway Cutoff 2 (gray) (3000K) (Light Type L39)	\$ 17.00
LED Roadway Cutoff 3 (gray) (3000K) (Light Type L40)	\$ 19.05
LED Roadway Cutoff 4 (gray) (3000K) (Light Type L41)	\$ 26.60
LED Roadway Cutoff 5 (gray) (3000K) (Light Type L45)(FDOT)	\$ 25.40
LED Roadway Cutoff 2 (black) (3000K) (Light Type L42)	\$ 18.00
LED Roadway Cutoff 3 (black) (3000K) (Light Type L43)	\$ 20.35
LED Roadway Cutoff 4 (black) (3000K) (Light Type L44)	\$ 26.17
LED Roadway Cutoff 5 (black) (3000K) (Light Type L46)(FDOT)	\$ 26.40

← REV.

Decorative Roadway Lights:

LED - Round Roadway (Light Type L51).....	\$ 42.70
LED Teardrop Roadway on 2'-0" Mounting Arm Bracket (black) (Light Type L53)..	\$ 41.39
LED Teardrop Roadway on 4'-0" Mounting Arm Bracket (black) (Light Type L54)..	\$ 42.61
LED - Pendant Roadway (black) (Light Type L55).....	\$ 37.35

LED Floodlights:

LED Floodlight 1 (Light Type L57).....	\$ 13.96
LED Floodlight 2 (Light Type L58).....	\$ 20.81
LED Floodlight 3 (Light Type L59).....	\$ 23.88

Decorative Pedestrian Lights:

LED Acorn Pedestrian - (Black) (Light Type L52)	\$ 29.66
LED Small Pendant Pedestrian - (black) (Light Type L56)	\$ 30.65

* Monthly Rates DO NOT include Fuel Adjustment Charges, Fees, or Taxes

POLE RATES ARE NOT INCLUDED IN LIGHT RATES
PLEASE SEE DEFINITIONS FOR
GRU LIGHT RATE CLASSES

**Rental Agency Street Light Rate Class -
(Mass Change Out)**

Light Type ***Monthly**
Rate

Roadway Lights:

LED Roadway Cutoff 1 (gray) (3000K) (Light Type L61)	\$ 6.43
LED Roadway Cutoff 2 (gray) (3000K) (Light Type L62)	\$ 9.65
LED Roadway Cutoff 3 (gray) (3000K) (Light Type L63)	\$ 11.39
LED Roadway Cutoff 4 (gray) (3000K) (Light Type L64)	\$ 16.99
LED Roadway Cutoff 2 (black) (3000K) (Light Type L65)	\$ 9.65
LED Roadway Cutoff 3 (black) (3000K) (Light Type L66)	\$ 11.39
LED Roadway Cutoff 4 (black) (3000K) (Light Type L67)	\$ 16.99

← REV.

Decorative Roadway Lights:

LED - Round Roadway (Light Type L68).....	\$ 34.69
LED Teardrop Roadway on 2'-0" Mounting Arm Bracket (black) (Light Type L70)..	\$ 29.61
LED Teardrop Roadway on 4'-0" Mounting Arm Bracket (black) (Light Type L71)..	\$ 29.61
LED - Pendant Roadway (black) (Light Type L72).....	\$ 24.39

Decorative Pedestrian Lights:

LED Acorn Pedestrian - (Black) (Light Type L69)	\$ 25.64
LED Small Pendant Pedestrian - (black) (Light Type L73)	\$ 22.31

* Monthly Rates DO NOT include Fuel Adujstment Charges, Fees, or Taxes

**POLE RATES ARE NOT INCLUDED IN LIGHT RATES
PLEASE SEE DEFINITIONS FOR
GRU LIGHT RATE CLASSES**

**Rental Light Pole Rates -
(Commercial & Residential)**

<u>Pole Type</u>	* <u>Monthly Rate</u>
30 Ft. Non - Tapped Aluminum (Pole Type P11)	\$ 25.75
12Ft. Non - Tapped Aluminum (Pole Type P21)	\$ N/A
10 Ft. Concrete (black "fluted" decorative) (Pole Type P1)	\$ 14.74
30 Ft. Concrete (Pole Type P9)	\$ 13.41
35 Ft. Concrete (Pole Type P13)	\$ 13.32
35 Ft. Concrete (black octagonal) (Pole Type P14)	\$ 20.11
40 Ft. Concrete (black octagonal) (Pole Type P17)	\$ 26.63
40 Ft. Concrete (Pole Type P16)	\$ 12.01
45 Ft. Concrete (Pole Type P19)	\$ 13.15
30 Ft. Fiberglass (break-a-way) (Pole Type P10).....	\$ 18.45
18 Ft. Steel Black "Bottleneck" (Pole Type P5)	\$ 20.19
26 Ft. Steel Black "Bottleneck" (Pole Type P7)	\$ 33.25
30 Ft. Wood (Pole Type P8)	\$ 10.41
35 Ft. Wood (Pole Type P12).....	\$ 10.72
40 Ft. Wood (Pole Type P15).....	\$ 13.40
45 Ft. Wood (Pole Type P18).....	\$ 18.72

← REV.

* Monthly Rates DO NOT include Fuel Adjustment Charges, Fees, or Taxes

**POLE RATES ARE NOT INCLUDED IN LIGHT RATES
PLEASE SEE DEFINITIONS FOR
GRU LIGHT RATE CLASSES**

**Rental Agency Light Rate Class -
(Residential/Commercial - Contributed)**

Light Type *** Monthly Rate**

Roadway Lights:

LED Roadway Cutoff 1 (gray) (3000K) (Light Type L38)	\$ 2.77
LED Roadway Cutoff 2 (gray) (3000K) (Light Type L39)	\$ 4.51
LED Roadway Cutoff 3 (gray) (3000K) (Light Type L40)	\$ 5.87
LED Roadway Cutoff 4 (gray) (3000K) (Light Type L41)	\$ 9.36
LED Roadway Cutoff 5 (gray) (3000K) (Light Type L45)(FDOT)	\$ 8.48
LED Roadway Cutoff 2 (black) (3000K) (Light Type L42)	\$ 4.51
LED Roadway Cutoff 3 (black) (3000K) (Light Type L43)	\$ 5.87
LED Roadway Cutoff 4 (black) (3000K) (Light Type L44)	\$ 9.26
LED Roadway Cutoff 5 (black) (3000K) (Light Type L46)(FDOT)	\$ 8.48

Decorative Roadway Lights:

LED - Round Roadway (Light Type L51)	\$ 10.93
LED Teardrop Roadway on 2'-0" Mounting Arm Bracket (black) (Light Type L53)	\$ 6.99
LED Teardrop Roadway on 4'-0" Mounting Arm Bracket (black) (Light Type L54)	\$ 6.82
LED - Pendant Roadway (black) (Light Type L55).....	\$ 4.42

← REV.

LED Floodlights:

LED Floodlight 1 (Light Type L57).....	\$ 0.89
LED Floodlight 2 (Light Type L58).....	\$ 3.90
LED Floodlight 3 (Light Type L59).....	\$ 6.77

Floodlight:

Decorative Pedestrian Lights:

LED Acorn Pedestrian - (Black) (Light Type L52)	\$ 4.41
LED Small Pendant Pedestrian - (black) (Light Type L56)	\$ 3.84

* Monthly Rates DO NOT include Fuel Adjustment Charges, Fees, or Taxes

**POLE RATES ARE NOT INCLUDED IN LIGHT RATES
PLEASE SEE DEFINITIONS FOR
GRU LIGHT RATE CLASSES**

GRU Rental Light Rate Material Matrix

LED ROADWAY LIGHTS:

Gray:

- LED Roadway Cutoff 1 - (gray) (Light Type L38 and L61)
(Rate includes: Fixture, 4ft. Mounting Arm, Photo Control, Connectors, Wire)
- LED Roadway Cutoff 2 - (gray) (Light Type L39 and L62)
(Rate includes: Fixture, 10 ft. Mounting Arm, Photo Control, Connectors, Wire)
- LED Roadway Cutoff 3 - (gray) (Light Type L40 and L63)
(Rate includes: Fixture, 10 ft. Mounting Arm, Photo Control, Connectors, Wire)
- LED Roadway Cutoff 4 - (gray) (Light Type L41 and L64)
(Rate includes: Fixture, 10 ft. Mounting Arm, Photo Control, Connectors, Wire)

Black:

- LED Roadway Cutoff 2 - (black) (Light Type L42 and L65)
(Rate includes: Fixture, 10 ft. Mounting Arm, Photo Control, Connectors, Wire)
- LED Roadway Cutoff 3 - (black) (Light Type L43 and L66)
(Rate includes: Fixture, 10 ft. Mounting Arm, Photo Control, Connectors, Wire)
- LED Roadway Cutoff 4 - (black) (Light Type L44 and L67)
(Rate includes: Fixture, 10 ft. Mounting Arm, Photo Control, Connectors, Wire)

- LED Round Roadway - (black) (Light Type L51 and L68)
(Rate includes: Fixture, Photo Control, Connectors, Wire)

- LED Teardrop Roadway - (black) on 2'-0" Mounting Arm Bracket (Light Type L53 and L70)
(Rate includes: Fixture, 2 ft. Mounting Arm, Photo Control, Connectors, Wire)
- LED Teardrop Roadway - (black) on 4'-0" Mounting Arm Bracket (Light Type L54 and L71)
(Rate includes: Fixture, 4 ft. Mounting Arm, Photo Control, Connectors, Wire)

- LED Pendant Roadway - (black) (Light Type L55 and L72)
(Rate includes: Fixture, Mounting Arm, Photo Control, Connectors, Wire)

LED FLOODLIGHT:

- LED Floodlight 1 (Light Type L57)
(Rate includes: Fixture, Mounting Arm, Photo Control, Connectors, Wire)
- LED Floodlight 2 (Light Type L58)
(Rate includes: Fixture, Mounting Arm, Photo Control, Connectors, Wire)
- LED Floodlight 3 (Light Type L59)
(Rate includes: Fixture, Mounting Arm, Photo Control, Connectors, Wire)

PEDESTRIAN LIGHT:

- LED Acorn Pedestrian - (Black) (Light Type L52 and L69)
(Rate includes: Fixture, Photo Control, Connectors, Wire)

- LED Small Pendant Pedestrian - (black) (Light Type L56 and L73)
(Rate includes: Fixture, Mounting Arm, Photo Control, Connectors, Wire)

GRU Light Manufacturer Information

Manufacturers or Manufacture Representatives:

General Electric: Joey McDonald (Manuf. Rep.) Electric Sales Associates, Inc.
13274 CR 200
Oxford, FL 34484
Email: joeym@electricsalesinc.com

Cyclone Lighting: Ron Steedman (Manuf. Rep.) R.J Steedman, LLC
2268 SE 28th Street
Cape Coral, FL 33904-3332
Email: RLUMENATOR@aol.com

NOTE:
Contact GRU to verify Manufacturers List

GRU Pole Manufacturer Information

Manufacturers or Manufacture Representatives:

Wood Poles:

T. R. Miller Mill Co., Inc.
P.O. Box 708
Brewton, Al. 36427
Phone: (205) 867-4331

Ace Pole Co., Inc.
Waycross Hwy. 82E
P. O. Box 1323
Phone: (912) 449-4011

Atlantic Wood Industries, Inc.
P. O. Box 1608
Savannah, Ga. 31498

Langdale Forest Products Co.
P.O. Box 1088
Valdosta, GA 31603
Phone: (912) 964-1234

Swift Lumber, Inc.
P. O. Box Drawer 1298
Atmore, Al. 36502
Phone: (205) 368-2138

Apalachee Pole Company, Inc.
P. O. Box 7
Graceville, Fl. 32440
Phone: (904) 643-2121
(Send RFQ To: P.O. Box 68,
Bristol, Fl. 32321)

Concrete Poles:

Dura-Stress

Philips/Lumec Poles:

Gary Woods (Rep.)

SESCO Lighting
8110 Cypress Plaza Drive, Suite 301
Jacksonville, FL 32256
Phone: (904) 646-4772
Email: gwood@sescolighting.com

Traditional Concrete, Inc.

Judy Graddy

JAG Lighting Solutions, Inc..
Phone: (407) 760-9817
jgraddy@Jaglightingsolutions.com

NOTE:

Contact GRU to verify Manufacturers List

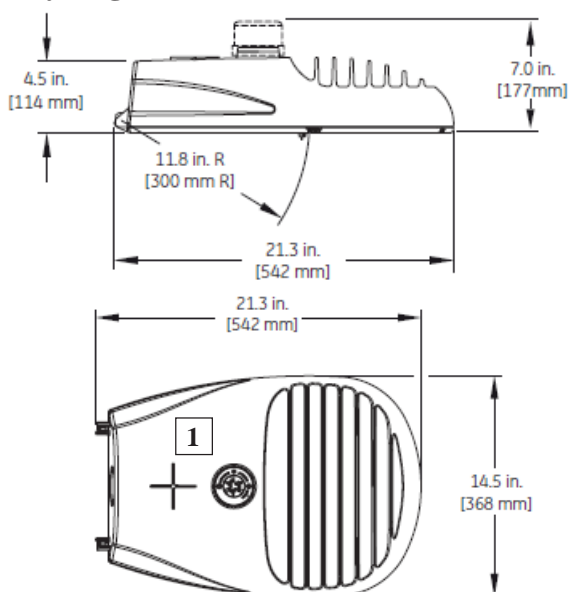
This Page Intensionally Left Blank



LED Roadway Cutoff - (Gray) Light
(Light Types L38, L39, L40, L41; Pole Types P9, P13, P16, P19, P10, P8, P12, P15, P18)

GRU Lights, Poles and Brackets, cont.

LED Roadway Cutoff 1 - (Gray) Light:



GENERAL ELECTRIC LIGHTING

Description

LUMINAIRE, LED ROADWAY CUTOFF 1, GRAY WITH DIE-CAST ALUMINUM HOUSING. **SEE COMPLETE SPECIFICATIONS ON PAGE L-90.00 THRU L-90.03.**

Manufacturer

GENERAL ELECTRIC

Catalog No.

ERL1-0-05-A3-30-A
GRAY-GLR-176

SPECIFICATIONS:

LAMP WATTAGE RANGE: 45 TO 55 WATTS
LUMEN RANGE: 4800 TO 5000
VOLTAGE: 120 - 277 VOLTS
(WIRED FOR 120V.)

LIGHT DISTRIBUTION -

IES TYPE: II - NARROW
COLOR TEMPERATURE (CCA): 3,000 K. +/- 300
COLOR RENDERING INDEX: 70
OPERATING TEMPERATURE: -4 TO 122 F.
SURGE PROTECTION (MIN.): 10kV/10kA
INTERNAL BUBBLE LEVEL
TOOL-LESS ENTRY
NEMA PHOTOCONTROL RECEPTACLE
EXTERNAL FIELD I.D. MARKER: A REFLECTIVE
YELLOW "1" ON BLACK BACKGROUND (1-1/2" TALL)

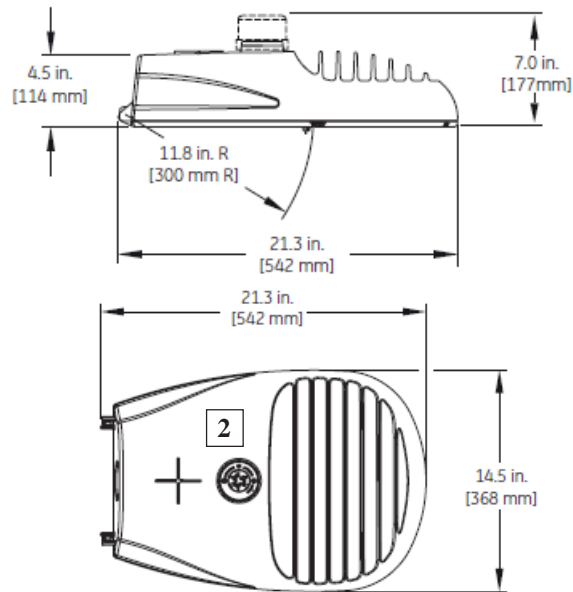
ADJUSTABLE SLIPFITTER: 1-1/4" TO 2"
COLOR: GRAY
WEIGHT: 18 LBS.

NOTE:

20 YEAR PHOTOCONTROL LISTED ON ELECTRIC STANDARDS PAGE P-5.45, S/N 58146-1

GRU Lights, Poles and Brackets, cont.

LED Roadway Cutoff 2 - (Gray) Light:



GENERALELECTRICLIGHTING

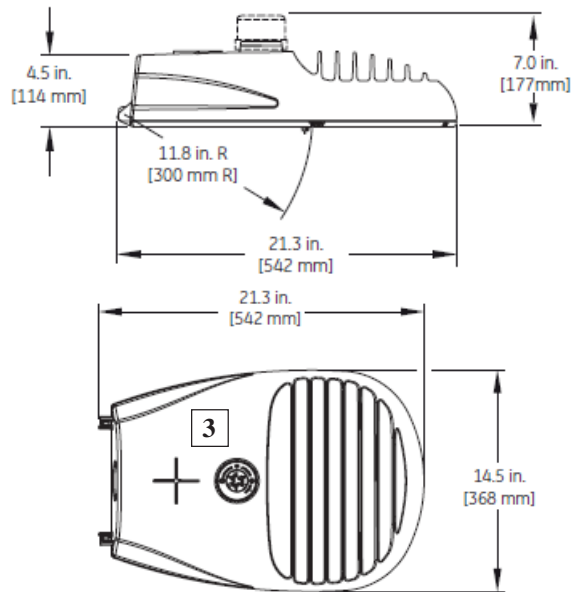
<u>Description</u>	<u>Manufacturer</u>	<u>Catalog No.</u>
LUMINAIRE, LED ROADWAY CUTOFF 2, GRAY WITH DIE-CAST ALUMINUM HOUSING. SEE COMPLETE SPECIFICATIONS ON PAGE L-90.00 THRU L-90.03.		
SPECIFICATIONS:		
LAMP WATTAGE RANGE:	80 TO 105 WATTS	GENERAL ELECTRIC
LUMENS RANGE:	8,000 TO 8,800	ERL1-0-09-C3-30-A-
VOLTAGE:	120 - 277 VOLTS (WIRED FOR 120V.)	GRAY-GLR-111
LIGHT DISTRIBUTION -		
IES TYPE:	III	
COLOR TEMPERATURE (CCA):	3,000 K. +/- 300	
COLOR RENDERING INDEX:	70 MIN.	
OPERATING TEMPERATURE:	-4 TO 122 F.	
SURGE PROTECTION (MIN.):	10kV/10kA	
INTERNAL BUBBLE LEVEL		
TOOL-LESS ENTRY:	YES	
NEMA PHOTOCONTROL RECEPTACLE		
EXTERNAL FIELD I.D. MARKER: A REFLECTIVE YELLOW "1" ON BLACK BACKGROUND (1-1/2" TALL)		
ADJUSTABLE SLIPFITTER:	1-1/4" TO 2"	
COLOR:	GRAY	
WEIGHT:	18 LBS.	

NOTE:

20 YEAR PHOTOCONTROL LISTED ON ELECTRIC STANDARDS PAGE P-5.45, S/N 58146-1

GRU Lights, Poles and Brackets, cont.

LED Roadway Cutoff 3 - (Gray) Light:



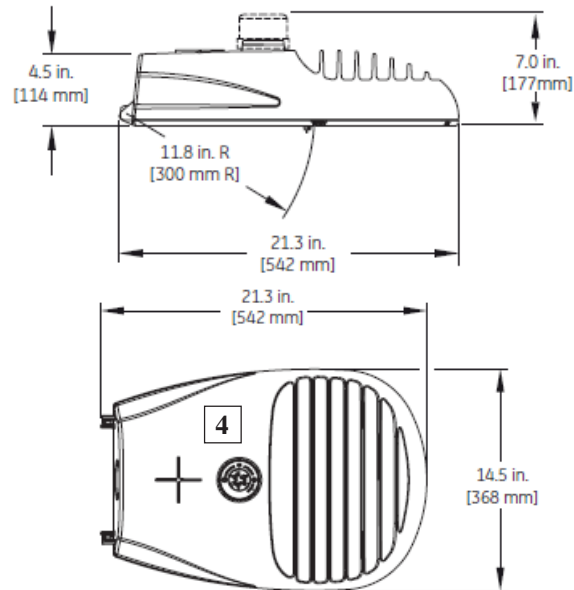
GENERALELECTRICLIGHTING

<u>Description</u>	<u>Manufacturer</u>	<u>Catalog No.</u>
LUMINAIRE, LED ROADWAY CUTOFF 3, GRAY WITH DIE-CAST ALUMINUM HOUSING. SEE COMPLETE SPECIFICATIONS ON PAGE L-90.00 THRU L-90.03.		
SPECIFICATIONS:		
LAMP WATTAGE RANGE:	140 TO 155 WATTS	GENERAL ELECTRIC ERLH-0-13-C3-30-A-GRAY-GLR-052
LUMEN RANGE:	12,500 TO 13,500	
VOLTAGE:	120 - 277 VOLTS (WIRED FOR 120V.)	
LIGHT DISTRIBUTION -		
IES TYPE:	III	
COLOR TEMPERATURE (CCA):	3,000 K. +/- 300	
COLOR RENDERING INDEX:	70	
OPERATING TEMPERATURE:	-4 TO 122 F.	
SURGE PROTECTION (MIN.):	10kV/10kA	
INTERNAL BUBBLE LEVEL		
TOOL-LESS ENTRY:	YES	
EXTERNAL FIELD I.D. MARKER: A REFLECTIVE YELLOW "1" ON BLACK BACKGROUND (1-1/2" TALL)		
ADJUSTABLE SLIPFITTER:	1-1/4" TO 2"	
COLOR:	GRAY	
WEIGHT:	20 - 25 LBS.	

NOTE:
20 YEAR PHOTOCONTROL LISTED ON ELECTRIC STANDARDS PAGE P-5.45, S/N 58121-6

GRU Lights, Poles and Brackets, cont.

LED Roadway Cutoff 4 - (Gray) Light:



GENERALELECTRICLIGHTING

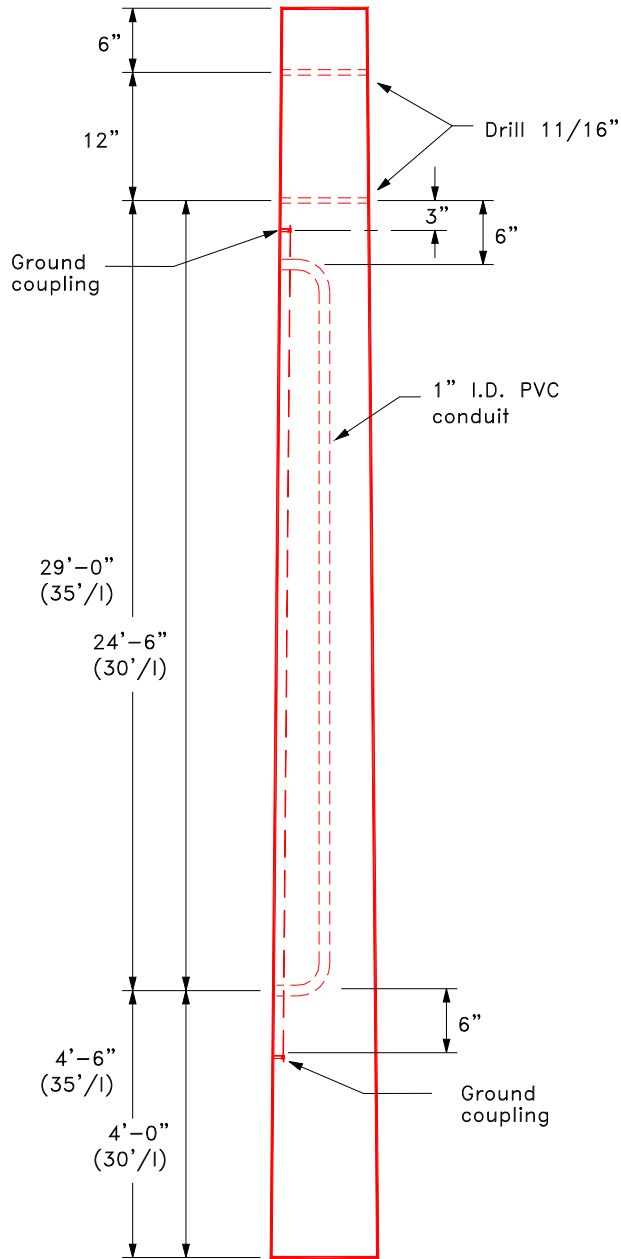
<u>Description</u>	<u>Manufacturer</u>	<u>Catalog No.</u>
LUMINAIRE, LED ROADWAY CUTOFF 4, GRAY WITH DIE-CAST ALUMINUM HOUSING. SEE COMPLETE SPECIFICATIONS ON PAGE L-90.00 THRU L-90.03.		
SPECIFICATIONS:		
LAMP WATTAGE RANGE:	190 TO 230 WATTS	GENERAL ELECTRIC
LUMEN RANGE:	21,000 TO 23,000	ERL2-0-23-C3-30-A-
VOLTAGE:	120 - 277 VOLTS (WIRED FOR 120V.)	GRAY-GLR-032
LIGHT DISTRIBUTION -		
IES TYPE:	III	
COLOR TEMPERATURE (CCA):	3,000 K. +/- 300	
COLOR RENDERING INDEX:	70	
OPERATING TEMPERATURE:	-4 TO 122 F.	
SURGE PROTECTION (MIN.):	10kV/10kA	
INTERNAL BUBBLE LEVEL		
TOOL-LESS ENTRY:	YES	
EXTERNAL FIELD I.D. MARKER: A REFLECTIVE YELLOW "1" ON BLACK BACKGROUND (1-1/2" TALL)		
ADJUSTABLE SLIPFITTER:	1-1/4" TO 2"	
COLOR:	GRAY	
WEIGHT:	20 TO 25 LBS.	

NOTE:

20 YEAR PHOTOCONTROL LISTED ON ELECTRIC STANDARDS PAGE P-5.45, S/N 58131-3

GRU Lights, Poles and Brackets, cont.

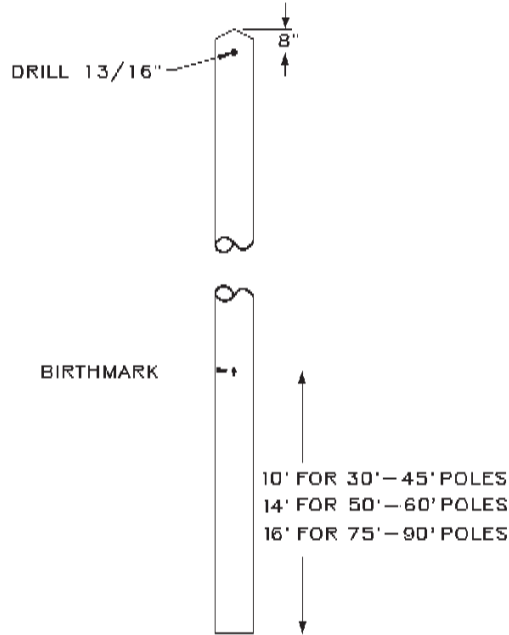
Concrete Poles for Standard (Gray) LED Roadway Cutoff Lights:



<u>Description</u>	<u>Manufacturer</u>	<u>Catalog No.</u>
CONCRETE POLE	ACCORD INDUSTRIES, PRESTRESSED POLE DIV.	
HEIGHT/TYPE (APR. WEIGHT):	DURA-STRESS, INC.	
30/I (1,360 LBS.)		
35/I (1,800 LBS.)		

GRU Lights, Poles and Brackets, cont.

Wood Poles for Standard (Gray) LED Roadway Cutoff Lights:



NOTE:

BIRTHMARK INCLUDES
LENGTH IN FEET, POLE
CLASS, MANUFACTURER'S
MARK AND YEAR PRODUCED.

<u>Description</u>	<u>Manufacturer</u>	<u>Catalog No.</u>
CCA TREATED WOOD POLE, SOUTHERN PINE	<u>NOTE:</u> MANUFACTURERS ARE LISTED BELOW	
HEIGHT/CLASS (APPROXIMATE WEIGHT:)		
30'/6 (606 LBS.)		NONE
35'/5 (888 LBS.)		NONE
<u>APPRIVED MANUFACTURERS</u>		
1. T. R. Miller Mill Co., Inc. P.O. Box 708 Brewton, Al. 36427 Phone: (205) 867-4331	4. Apalachee Pole Company, Inc. P. O. Box 7 Graceville, Fl. 32440 Phone: (904) 643-2121 (Send RFQ To: P.O. Box 68 Bristol, Fl. 32321)	
2. Atlantic Wood Industries, Inc. P. O. Box 1608 Savannah, Ga. 31498 Phone: (912) 964-1234	5. Ace Pole Co., Inc. Waycross Hwy. 82E P. O. Box 1323 Waycross, Ga. 31501 Phone: (912) 449-4011	
3. Swift Lumber, Inc. P. O. Box Drawer 1298 Atmore, Al. 36502 Phone: (205) 368-2138	6. Langdale Forest Products Co. P.O. Box 1088 Valdosta, GA 31603	

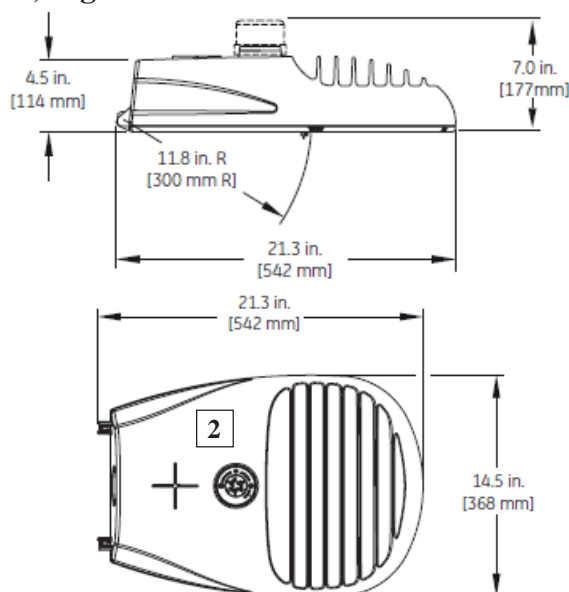
This Page Intensionally Left Blank



LED Roadway Cutoff - (Black) Light:
(Light Type L42, L43, L44; Pole Type P14, P17)

GRU Lights, Poles and Brackets, cont.

LED Roadway Cutoff 2 - (Black) Light:



GENERALELECTRICLIGHTING

Description

LUMINAIRE, LED ROADWAY CUTOFF 2, BLACK WITH DIE-CAST ALUMINUM HOUSING. **SEE COMPLETE SPECIFICATIONS ON PAGE L-90.00 THRU L-90.03.**

Manufacturer

GENERAL ELECTRIC

Catalog No.

ERL1-0-09-C3-30-A-
BLCK-GLR-111

SPECIFICATIONS:

LAMP WATTAGE RANGE: 80 TO 105 WATTS
LUMEN RANGE: 8,000 TO 8,800
VOLTAGE: 120 - 277 VOLTS
(WIRED FOR 120V.)

LIGHT DISTRIBUTION -

IES TYPE: III
COLOR TEMPERATURE (CCA): 3,000 K. +/- 300
COLOR RENDERING INDEX: 70
OPERATING TEMPERATURE: -4 TO 122 F.
SURGE PROTECTION (MIN.): 10kV/10kA
INTERNAL BUBBLE LEVEL
TOOL-LESS ENTRY: YES
NEMA PHOTOCONTROL RECEPTACLE
EXTERNAL FIELD I.D. MARKER: A REFLECTIVE
YELLOW "1" ON BLACK BACKGROUND (1-1/2" TALL)

ADJUSTABLE SLIPFITTER: 1-1/4" TO 2"

COLOR: BLACK

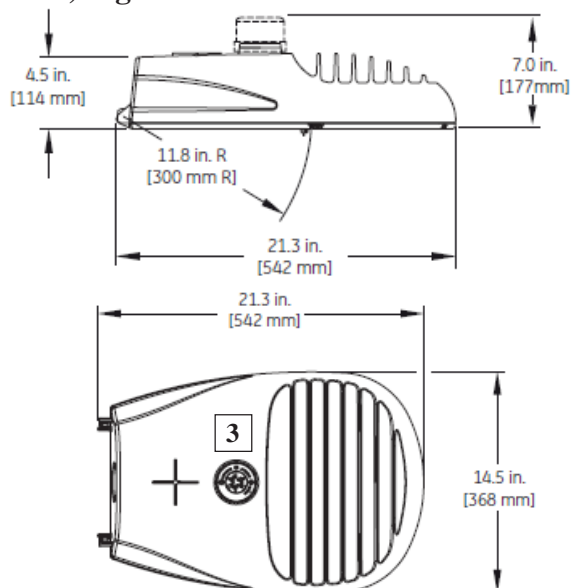
WEIGHT: 18 LBS.

NOTE:

20 YEAR PHOTOCONTROL LISTED ON ELECTRIC
STANDARDS PAGE P-5.45, S/N 58151-8

GRU Lights, Poles and Brackets, cont.

LED Roadway Cutoff 3 - (Black) Light:



GENERALELECTRICLIGHTING

Description

LUMINAIRE, LED ROADWAY CUTOFF 3, BLACK WITH DIE-CAST ALUMINUM HOUSING. **SEE COMPLETE SPECIFICATIONS ON PAGE L-90.00 THRU L-90.03.**

Manufacturer

GENERAL ELECTRIC

Catalog No.

ERLH-0-13-C3-30-A-
BLCK-GLR-052

SPECIFICATIONS:

LAMP WATTAGE RANGE: 140 TO 155 WATTS
LUMEN RANGE: 12,500 TO 13,500
VOLTAGE: 120 - 277 VOLTS
(WIRED FOR 120V.)

LIGHT DISTRIBUTION -

IES TYPE: III
COLOR TEMPERATURE (CCA): 3,000 K. +/- 300
COLOR RENDERING INDEX: 70
OPERATING TEMPERATURE: -4 TO 122 F.
SURGE PROTECTION (MIN.): 10kV/10kA
INTERNAL BUBBLE LEVEL
TOOL-LESS ENTRY: YES
EXTERNAL FIELD I.D. MARKER: A REFLECTIVE
YELLOW "1" ON BLACK BACKGROUND (1-1/2" TALL)

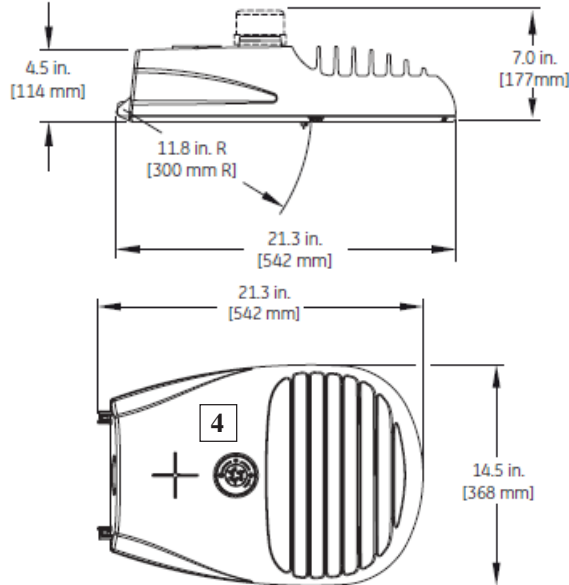
ADJUSTABLE SLIPFITTER: 1-1/4" TO 2"
COLOR: BLACK
WEIGHT: 20 - 25 LBS.

NOTE:

20 YEAR PHOTOCONTROL LISTED ON ELECTRIC
STANDARDS PAGE P-5.45, S/N 58151-8

GRU Lights, Poles and Brackets, cont.

LED Roadway Cutoff 4 - (Black) Light:



GENERALELECTRICLIGHTING

Description

LUMINAIRE, LED ROADWAY CUTOFF 4, BLACK WITH DIE-CAST ALUMINUM HOUSING. **SEE COMPLETE SPECIFICATIONS ON PAGE L-90.00 THRU L-90.03.**

Manufacturer

GENERAL ELECTRIC

Catalog No.

ERL2-0-23-C3-30-A-
BLCK-GLR-032

SPECIFICATIONS:

LAMP WATTAGE RANGE: 190 TO 230 WATTS
LUMEN RANGE: 21,000 TO 23,000
VOLTAGE: 120 - 277 VOLTS
(WIRED FOR 120V.)

LIGHT DISTRIBUTION -

IES TYPE: III
COLOR TEMPERATURE (CCA): 3,000 K. +/- 300
COLOR RENDERING INDEX: 70
OPERATING TEMPERATURE: -4 TO 122 F.
SURGE PROTECTION (MIN.): 10kV/10kA
INTERNAL BUBBLE LEVEL
TOOL-LESS ENTRY: YES
EXTERNAL FIELD I.D. MARKER: A REFLECTIVE
YELLOW "1" ON BLACK BACKGROUND (1-1/2" TALL)

ADJUSTABLE SLIPFITTER: 1-1/4" TO 2"
COLOR: BLACK
WEIGHT: 20 - 25 LBS.

NOTE:

20 YEAR PHOTOCONTROL LISTED ON ELECTRIC
STANDARDS PAGE P-5.45, S/N 58151-8

GRU Lights, Poles and Brackets, cont.

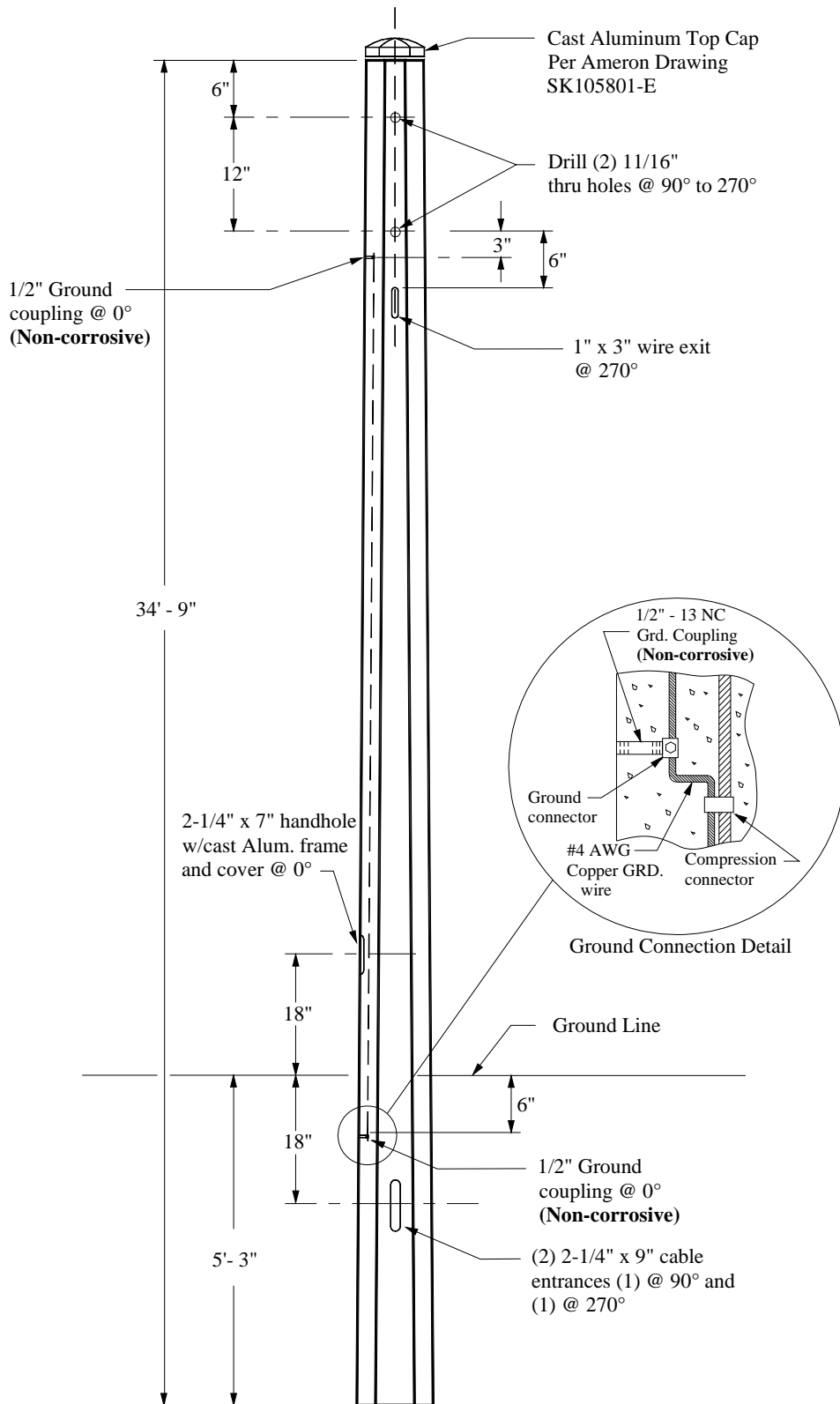
35 Foot Black Standard LED Roadway Cutoff Lights Pole:

See Illustration on page 23

<u>Description</u>	<u>Manufacturer</u>	<u>Catalog No.</u>
DECORATIVE OCTAGONAL CONCRETE POLE WITH TOP CAP. TO BE USED FOR ROADWAY LIGHTING. SEE DRAWING ON PAGE 19, FOR POLE DRILLING SPECIFICATIONS AND OTHER DETAILS.		
<u>POLE SPECIFICATIONS:</u>		
POLE DIMENSIONS:	* AMERON	MEO-9 (6P3A) POLE
OVERALL LENGTH: 34' - 9"		DWG.# SK105801
BURIAL DEPTH: 5'-3"		REV. E
** POLE COLOR: BLACK/BLACK (6P3A), EXPOSED FINISH, W/ARCHITECTURAL (ACRYLIC) GLOSS COATING		
WEIGHT: 1,300 LBS. EACH		
* <u>POSSIBLE SUPPLIER:</u>		
JAG LIGHTING SOLUTIONS, INC. JUDY GRADDY 1061 CHOKE CHERRY DRIVE WINTER SPRINGS, FL 32708 PHONE: (407) 695-8547 FAX: (407) 696-3018		
** <u>NOTE:</u>		
PAINT HANDHOLE COVER AND TENON "BLACK" TO MATCH POLE.		

GRU Lights, Poles and Brackets, cont.

35 Foot Black Standard LED Roadway Cutoff Lights Pole:



GRU Lights, Poles and Brackets, cont.

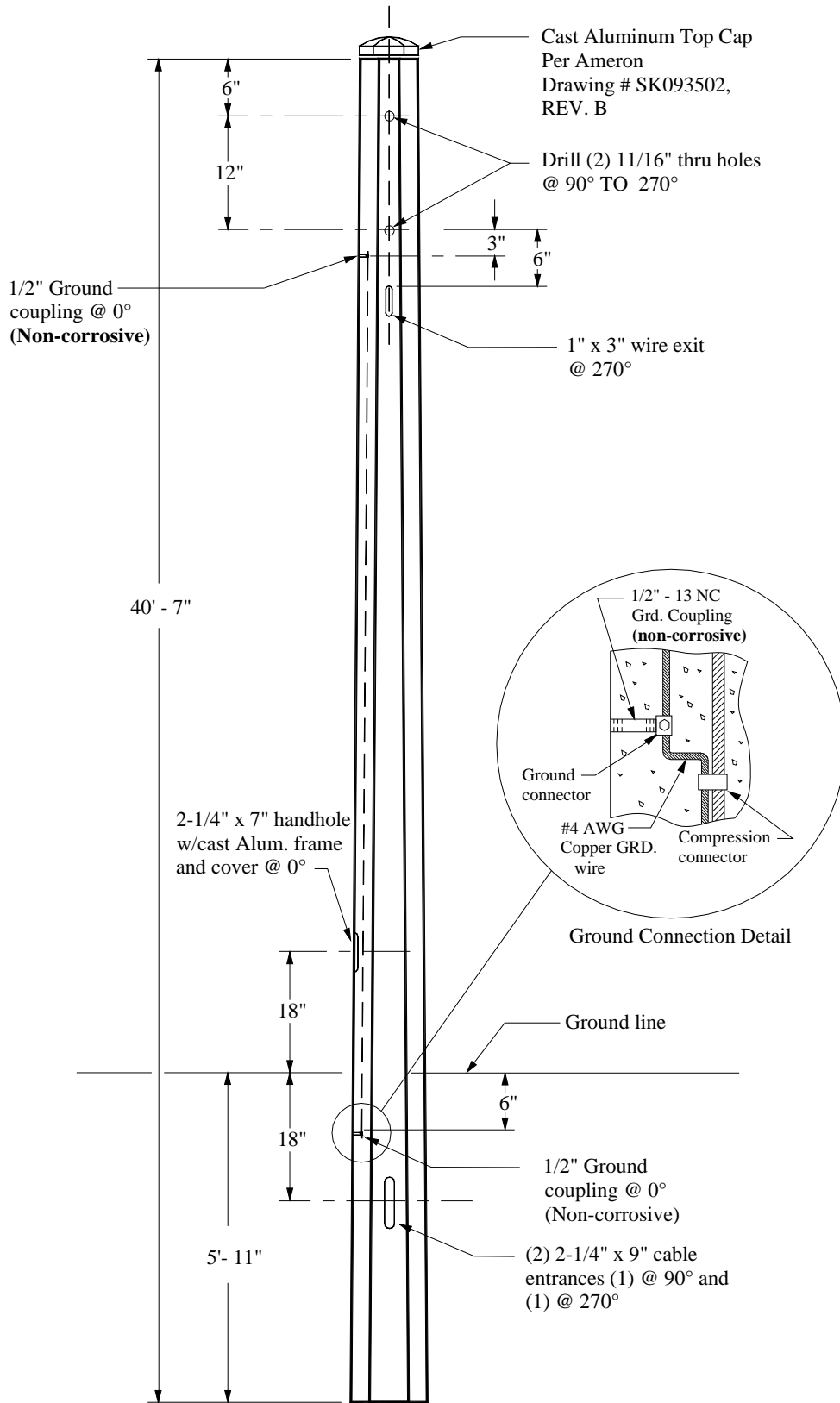
40 Foot Black Standard LED Roadway Cutoff Lights Pole:

See Illustration on page 25

<u>Description</u>	<u>Manufacturer</u>	<u>Catalog No.</u>
DECORATIVE OCTAGONAL CONCRETE POLE WITH TOP CAP. TO BE USED FOR ROADWAY LIGHTING. SEE DRAWING ON PAGE 21, FOR POLE DRILLING SPECIFICATIONS AND OTHER DETAILS.		
<u>POLE SPECIFICATIONS:</u>		
POLE DIMENSIONS:	* AMERON	MEOX-10.6 (6P3A)
OVERALL LENGTH: 40' - 7"		POLE
BURIAL DEPTH: 5'-11"		DWG# SK093502
BUTT DIAMETER: 10"		REV. B
** POLE COLOR:BLACK/BLACK (6P3A), EXPOSED FINISH, W/ARCHITECTURAL (ACRYLIC) GLOSS COATING		
WEIGHT: 1,600 LBS. EACH		
* <u>POSSIBLE SUPPLIER:</u>		
JAG LIGHTING SOLUTIONS, INC. JUDY GRADDY 1061 CHOKE CHERRY DRIVE WINTER SPRINGS, FL 32708 PHONE: (407) 695-8547 FAX: (407) 696-3018		
** NOTE: PAINT HANDHOLE COVER AND TENON "BLACK" TO MATCH POLE.		

GRU Lights, Poles and Brackets, cont.

40 Foot Black Standard LED Roadway Cutoff Lights Pole:

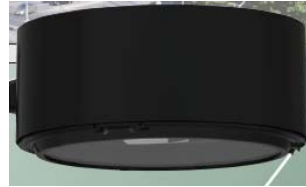
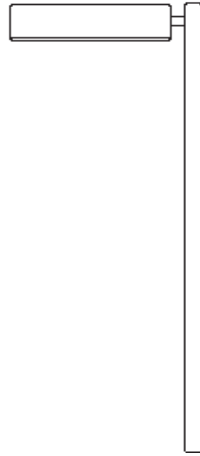




LED Round Roadway Light - (Black)
(Light Type L51; Pole Type P11)

GRU Lights, Poles and Brackets, cont.

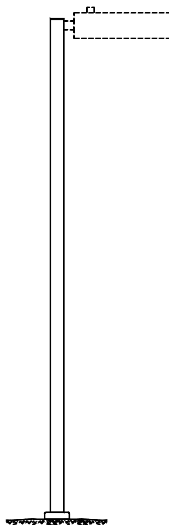
LED Round Roadway (Black) Light:



<u>Description</u>	<u>Manufacturer</u>	<u>Catalog No.</u>
LED "ROUND" DECORATIVE ROADWAY LUMINAIRE, WITH 7 PIN P.E. RECEPTACLE AND MOUNTING ARM.		
WATAGE RANGE: 120 TO 230	CYCLONE LIGHTING	CD20SR45-GAL-3-
COLOR TEMPERATURE: 3000K		120W-3K-120V-PTR-
LUMEN OUTPUT RANGE: 13,500 TO 14,500		CP4323-RAL-9005TX
LIGHT COLOR: BLACK		
DIAMETER: 25"		
DISTRIBUTION: TYPE III		
PHOTO CONTROL		
RECEPTACLE: NEMA TWIST STYLE		
VOLTAGE: 120V.		

GRU Lights, Poles and Brackets, cont.

LED Round Roadway (Black) Light Pole:



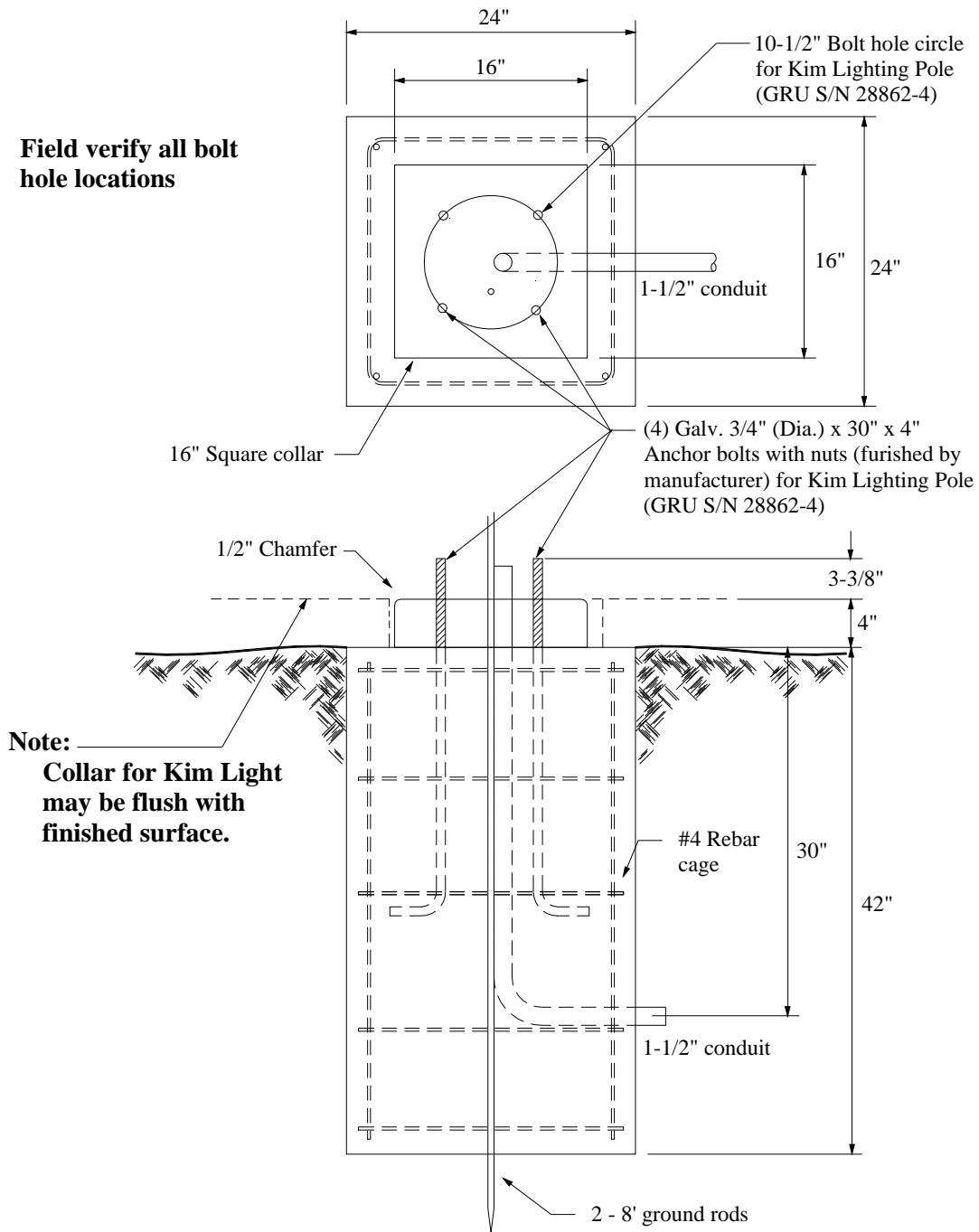
ALUMINUM POLE USE
WITH THE ROUND BLACK "KIM LIGHTING"
LUMINAIRE

<u>Description</u>	<u>Manufacturer</u>	<u>Catalog No.</u>
NON-TAPERED ROUND ALUMINUM 30 FOOT (MOUNTING HEIGHT) POLE. THIS POLE IS USED WITH THE 400 W. METAL HALIDE LUMINAIRE LISTED ON PAGE L-75.00, IN THIS MANUAL. COLOR: BLACK		
NON-TAPERED ROUND ALUMINUM POLE	KIM LIGHTING	PRA306188-BL-P

**THIS POLE REQUIRES A CONCRETE FOUNDATION FOR INSTALLATION
PROVIDED BY CUSTOMER. SEE FOUNDATION DRAWINGS ON
PAGES 35 AND 36 OF THIS DOCUMENT**

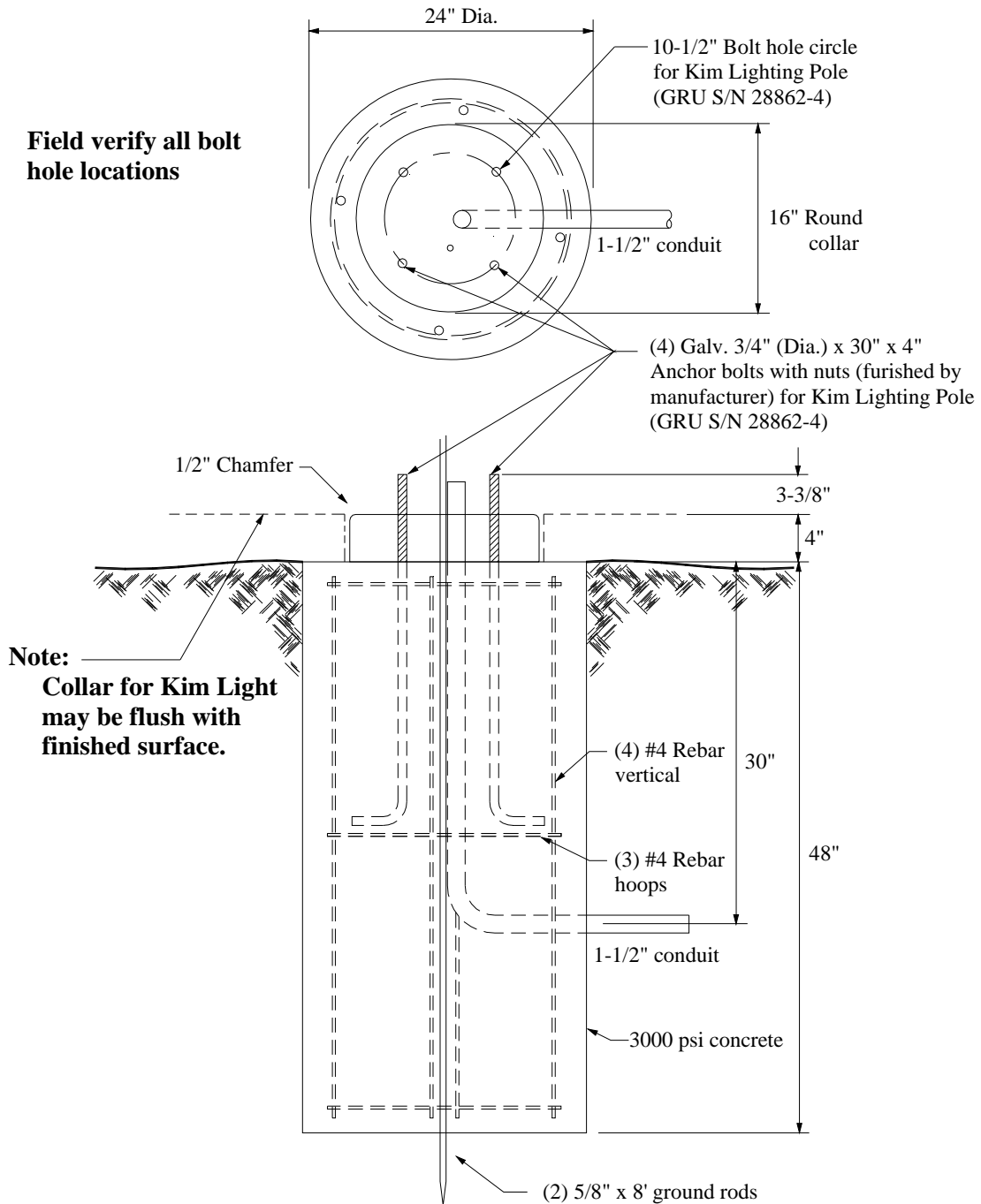
GRU Lights, Poles and Brackets, cont.

Square Concrete Foundation for PLED Round Roadway (Black) Light Pole:



GRU Lights, Poles and Brackets, cont.

Round Concrete Foundation for LED Round Roadway (Black) Light Pole:



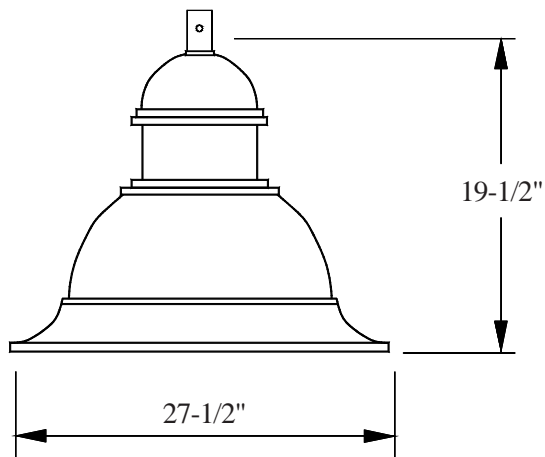
This Page Intensionally Left Blank



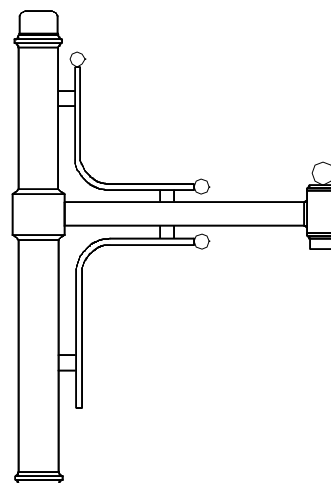
LED Pendant Roadway Light
(Light Type L55; Pole Type P5)

GRU Lights, Poles and Brackets, cont.

LED Pendant Roadway Light:



CYCLONE LIGHTING



<u>Description</u>	<u>Manufacturer</u>	<u>Catalog No.</u>
LED "DOMUS & DOMIA:" DECORATIVE ROADWAY LUMINAIRE. TO BE USED IN RESIDENTIAL AREAS.		
LUMINAIRE SPECIFICATIONS:		
WATTAGE RANGE:	40 TO 60	*CYCLONE LIGHTING (MODEL DOMIA)
LUMEN OUTPUT RANGE:	4,000 TO 5,000	
COLOR TEMPERATURE:	3000K	
PHOTO CONTROL:	NEMA TWIST STYLE - 7 PIN (ANSI C136.41)	
OPTICAL ASSEMBLY:	IES TYPE III	CY55P1B-GAL-3-40W- 3K-120-3F-PTDR- RAL9005TX
FINISH COLOR:	BLACK	
WEIGHT:	-----	

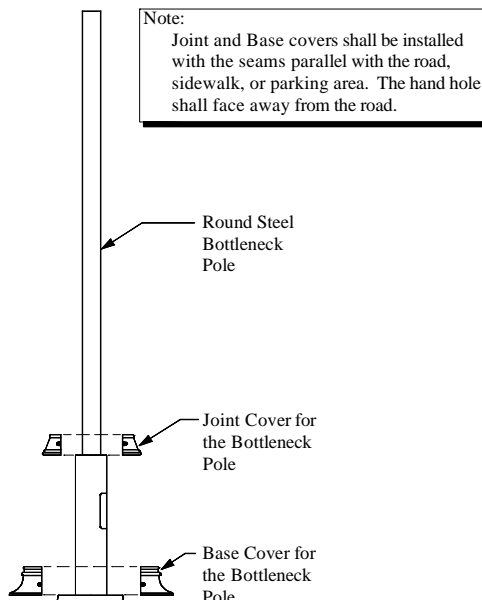
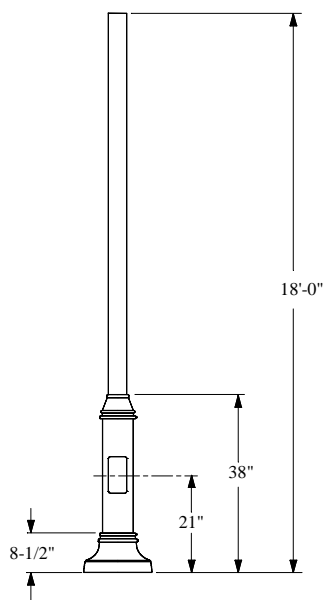
**MOUNTING ARM IS LISTED ON PAGE L-74.51
GRU ELECTRIC MATERIALS MANUAL**

**ADAPTER BRACKETS LISTED ON PAGE L-75.26
gru ELECTRIC MATERIALS MANUAL**

*** NOTE:
THE CYCLONE LUMINAIRE REQUIRES AN
ADAPTER BRACKET WHEN INSTALLED
ON A LUMEC MOUNTING ARM BRACKET.
(SEE ELECTRIC PAGE L-75.26)**

GRU Lights, Poles and Brackets, cont.

LED Pendant Roadway Light Pole:



Description

ROUND STEEL BOTTLENECK POLE WITH BASE AND JOINT COVERS MADE OF TWO PIECES OF CAST ALUMINUM MECHANICALLY FASTENED TO THE BASE AND POLE WITH STAINLESS STEEL SCREWS. THIS POLE IS USED WITH THE 100 W. HIGH PRESSURE SODIUM "LUMEC" LUMINAIRE LISTED ON PAGE L-74.50, IN THIS MANUAL.

Manufacturer

Catalog No.

SPECIFICATIONS:

SIZE: 4' DIAMETER X 18 FEET
ROUND

LUMEC (PHILIPS)

SM6F-18-BK-TX

MATERIAL: STEEL

BASE PLATE: 13"

BOLT CIRCLE: 10-1/2"

ANCHOR BOLTS: 3/4" DIA. X 27"

WEIGHT: 135 LBS.

COLOR: BLACK

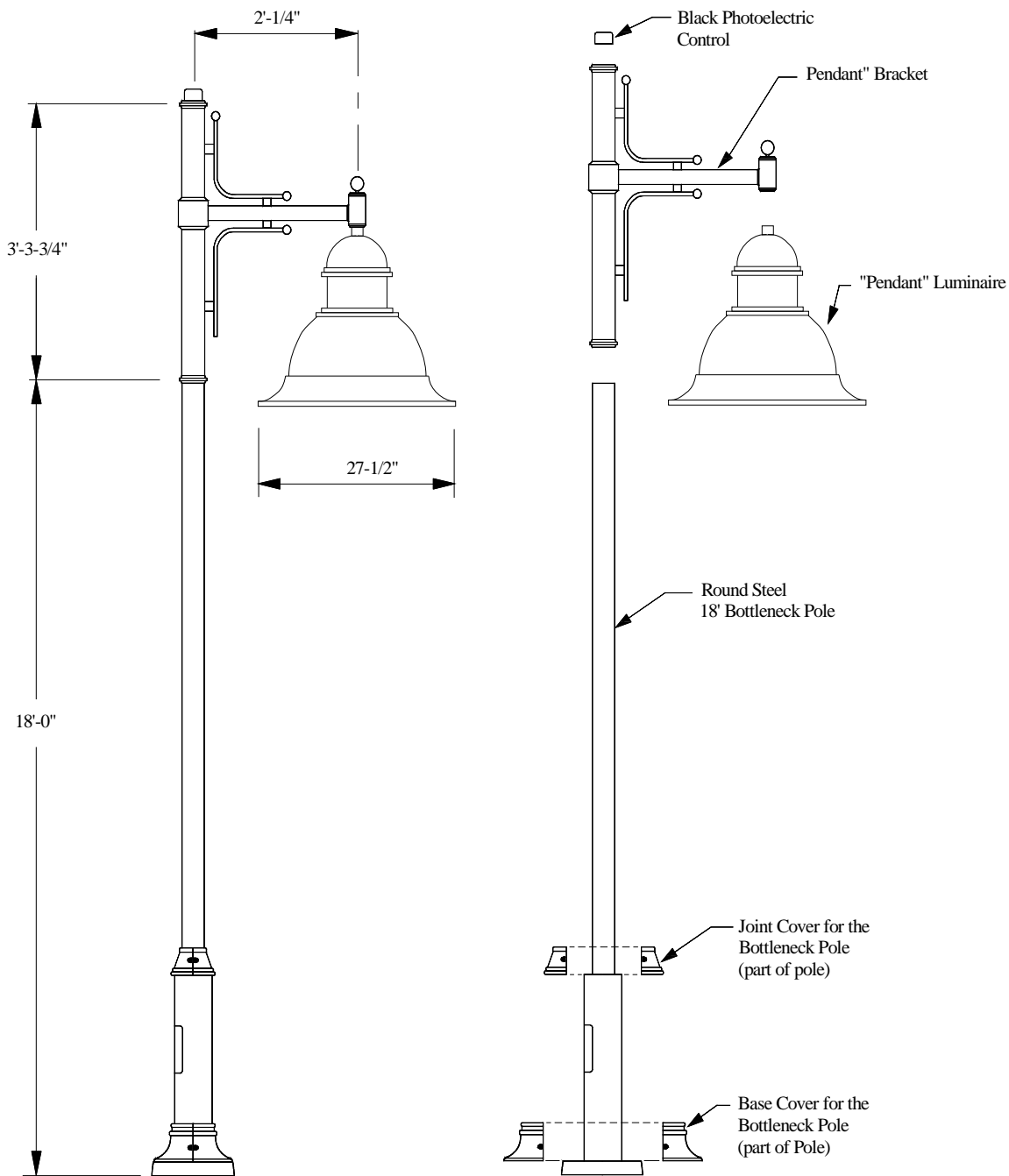
PARTS LIST:

- 1 - 4" X 18'-0" ROUND "BLACK" STEEL POLE
- 1 - TWO (2) PIECE JOINT COVER - BLACK
- 1 - TWO (2) PIECE BACE COVER - BLACK
- MOUNTING HARDWARE (SCREWS)

**THIS POLE REQUIRES A CONCRETE FOUNDATION FOR INSTALLATION
PROVIDED BY CUSTOMER. SEE FOUNDATION DRAWINGS ON
PAGES 42 AND 43 OF THIS DOCUMENT**

GRU Lights, Poles and Brackets, cont.

LED Pendant Roadway Light Pole:

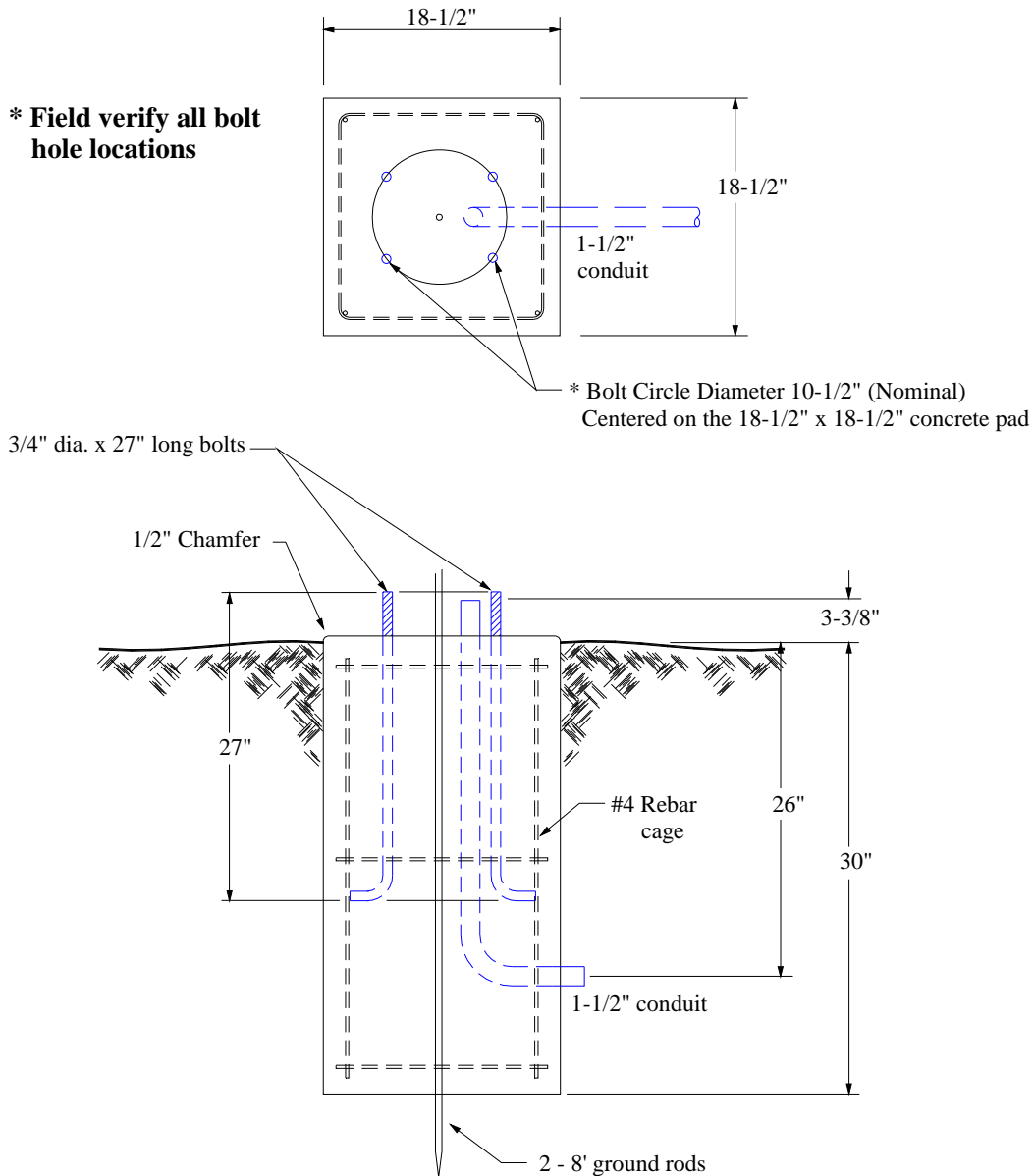


Pendant Luminaire
Assembled

**THIS POLE REQUIRES A CONCRETE FOUNDATION FOR INSTALLATION
PROVIDED BY CUSTOMER. SEE FOUNDATION DRAWINGS ON
PAGES 42 AND 43 OF THIS DOCUMENT**

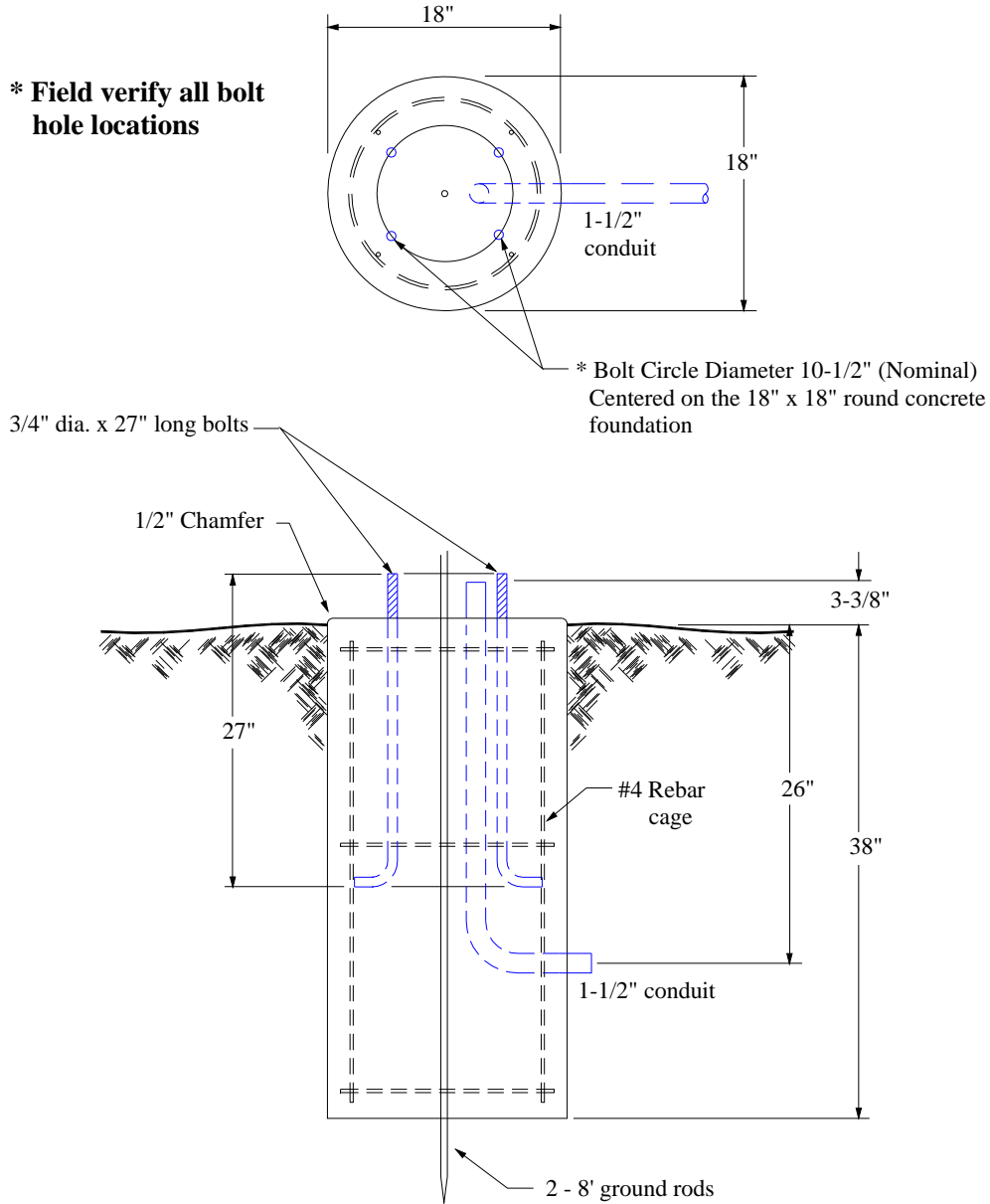
GRU Lights, Poles and Brackets, cont.

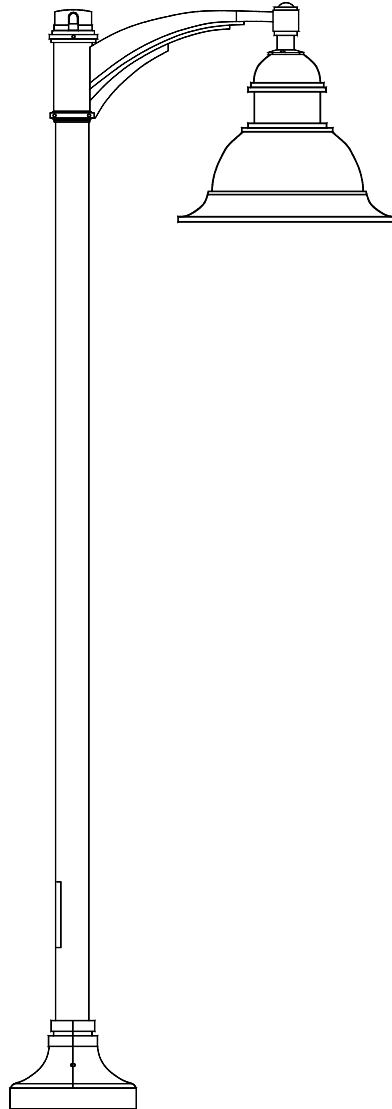
Square Concrete Foundation for LED Pendant Roadway Light Pole:



GRU Lights, Poles and Brackets, cont.

Round Concrete Foundation for LED Pendant Roadway Light Pole:

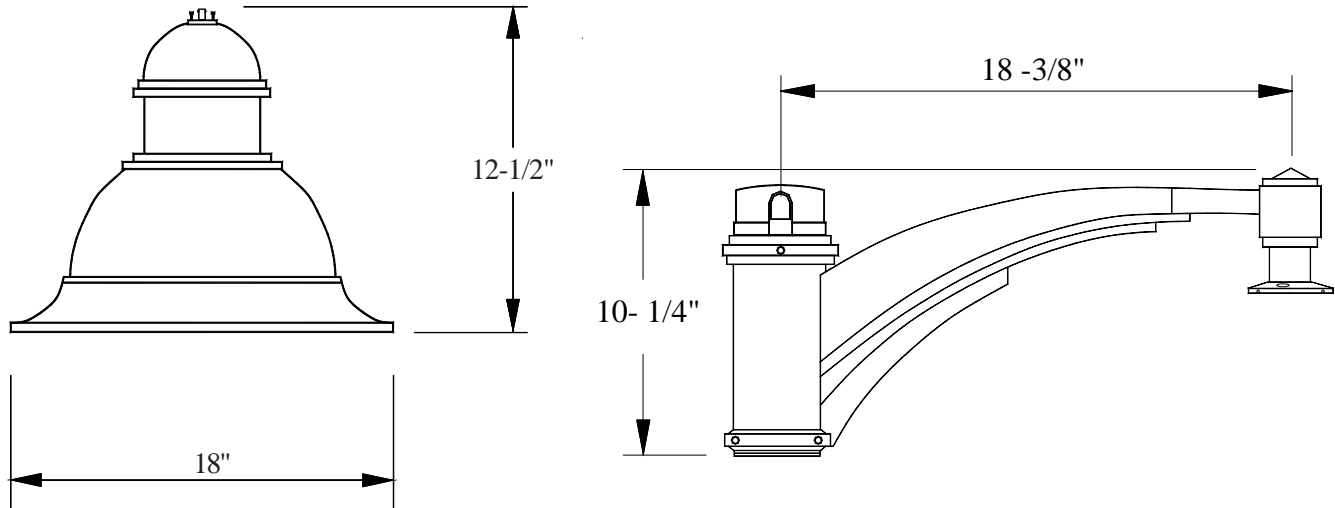




LED Small Pendant Pedestrian Light
(Light Type L56; Pole Type P21)

GRU Lights, Poles and Brackets, cont.

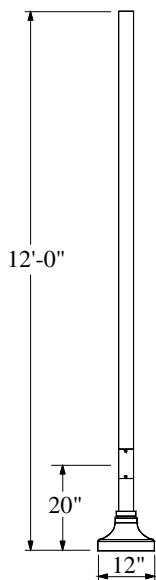
LED Small Pendant Pedestrian Light:



<u>Description</u>	<u>Manufacturer</u>	<u>Catalog No.</u>
LED "SMALL DOMUS" DECORATIVE PEDESTRIAN LUMINAIRE.		
<u>LUMINAIRE SPECIFICATIONS:</u>		
WATTAGE RANGE:	40 TO 60	* CYCLONE LIGHTING
LUMEN RANGE:	4,000 TO 5,000	SY21P1-GAL-2-40W-3K-
COLOR TEMPERATURE:	3000K	120-3F-CP4120-
PHOTO CONTROL:	NEMA CAP STYLE - 7 PIN (ANSI C136.41)	RAL9005TX
OPTICAL ASSEMBLY:	IES TYPE II	
FINISH COLOR:	BLACK	
WEIGHT:	----- (LUMINAIRE & BRACKET)	
EPA:	1.10 SQ. FT.	
<u>LUMINAIRE MOUNTING BRACKET:</u>		
ALUMINUM WITH CAST-IN POLE ADAPTER. SLIP-FITS A 3" (OUTSIDE DIAMETER) X 6" LONG TENON.	LUMEC (PHILIPS)	DBC-1A-RC/120-BK-TX
COLOR:	BLACK	
* NOTE: THE CYCLONE LUMINAIRE REQUIRES AN ADAPTER BRACKET WHEN INSTALLED ON A LUMEC MOUNTING ARM BRACKET. (SEE ELECTRIC PAGE L-75.26)		

GRU Lights, Poles and Brackets, cont.

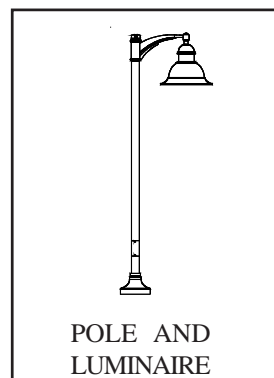
Pole for the LED Small Pendant Pedestrian Light:



Anchor Base and Bolt Details

Pole Height (x)	Pole Diameter (Y)	Bolt Circle Dia.	Anchor Bolt Projection	Anchor Bolts Sizes	Base Cover Size	Conduit Opening
12"	3"	10-1/2"	5-1/2" to 6 - 1/2"	3/4" x 17" x 3"	12"	2' X 4-1/2"

STEEL POLE
USE WITH THE ROUND BLACK "SMALL DOMUS"
LUMINAIRE



Description

NON-TAPERED ROUND STEEL 12 FOOT POLE. THIS POLE IS USED WITH THE 100 W. METAL HALIDE LUMINAIRE LISTED ON PAGE L-74.75, IN THIS MANUAL.

COLOR: BLACK

SIZE: 12' HEIGHT X 3" DIAMETER

* ANCHOR BOLTS PROVIDED BY MANUFACTURER:

(4) 3/4" X 17" X 3" (STEEL)

(8) NUTS

(8) WASHERS

Manufacturer

LUMEC (PHILIPS)

Catalog No.

SM3J-12-BK -TX

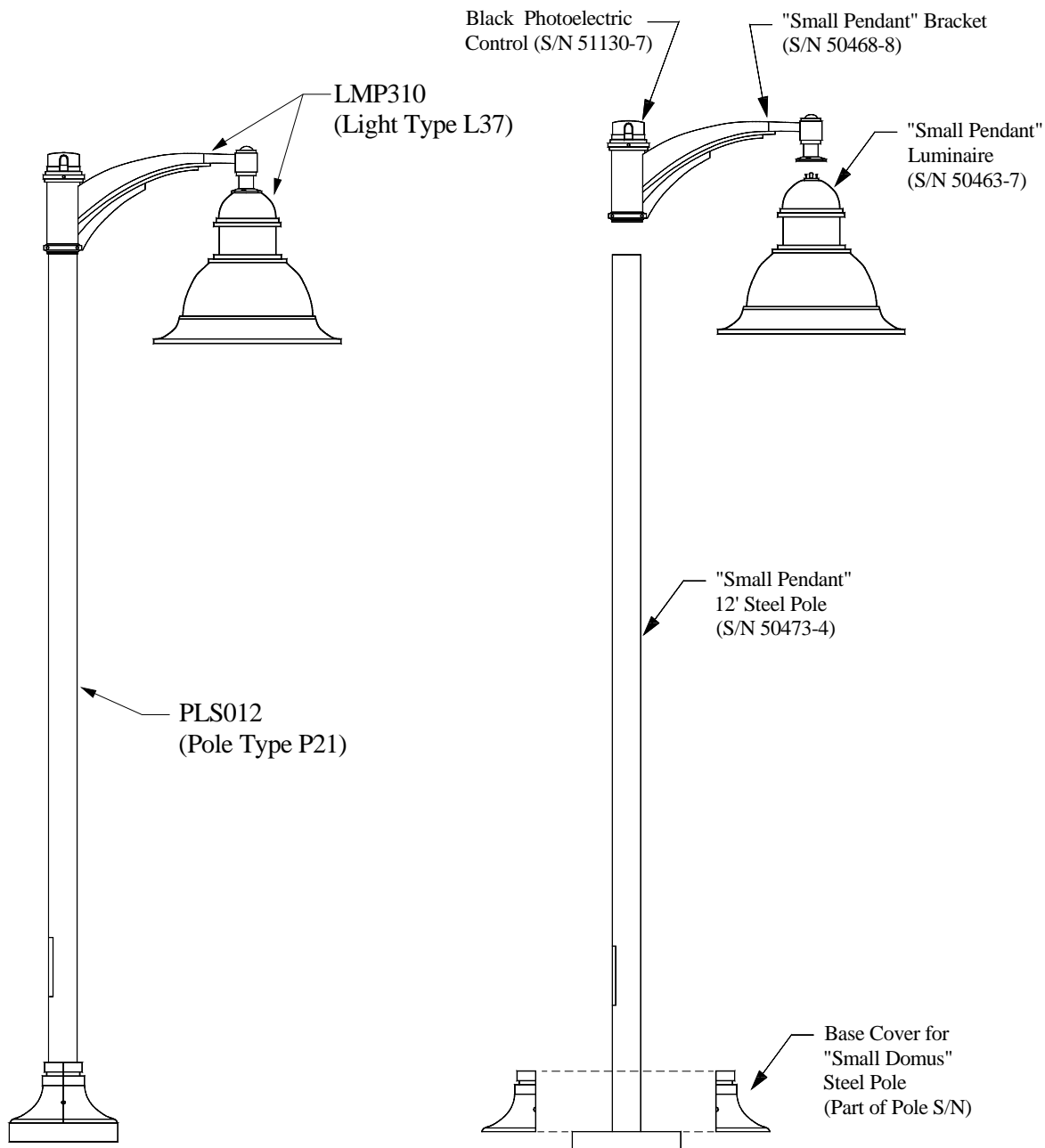
* NOTE:

IMPORTANT, DO NOT OBSTRUCT SPACE BETWEEN ANCHOR PLATE AND CONCRETE BASE.

THIS POLE REQUIRES A CONCRETE FOUNDATION FOR INSTALLATION PROVIDED BY CUSTOMER. SEE FOUNDATION DRAWING ON PAGE 48 OF THIS DOCUMENT

GRU Lights, Poles and Brackets, cont.

Pole for the LED Small Pendant Pedestrian Light:

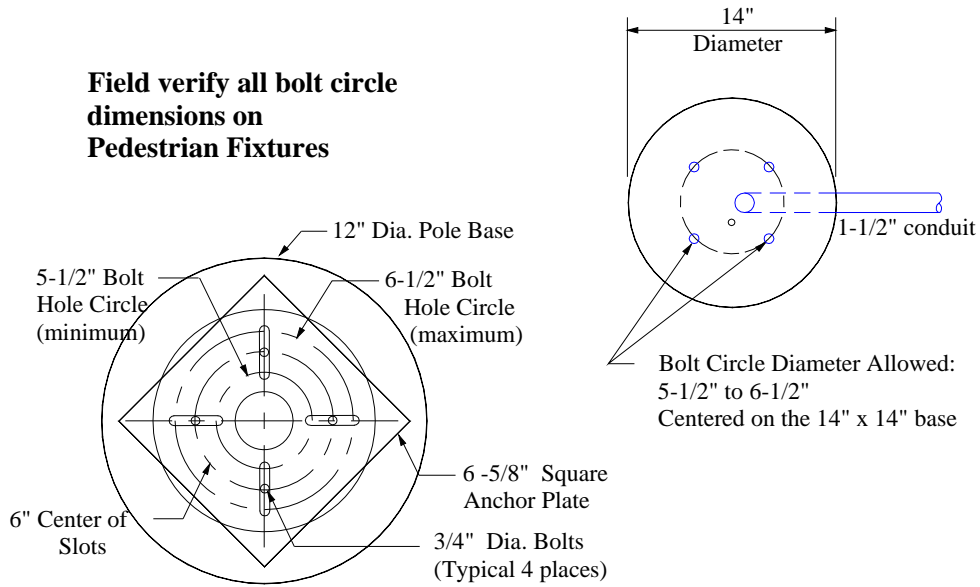


Small Pendant Luminaire Assembled

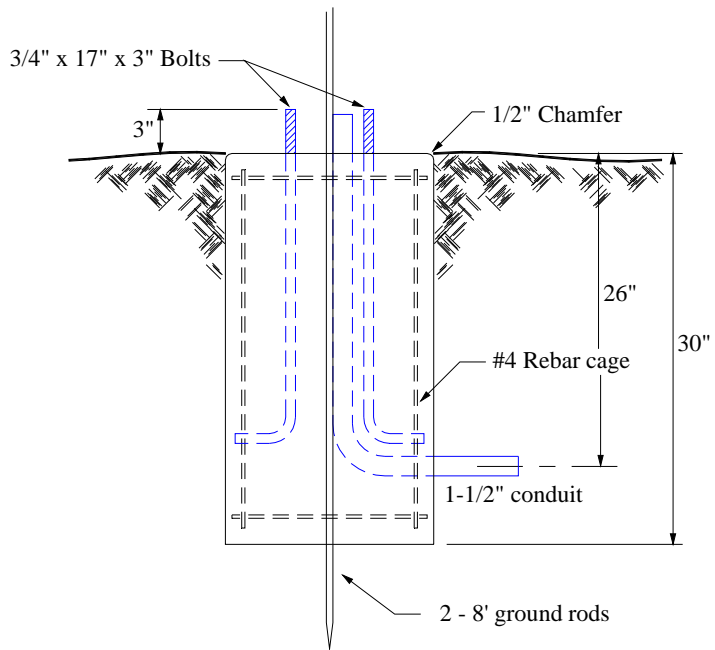
THIS POLE REQUIRES A CONCRETE FOUNDATION FOR INSTALLATION PROVIDED BY CUSTOMER. SEE FOUNDATION DRAWING ON PAGE 48 OF THIS DOCUMENT

GRU Lights, Poles and Brackets, cont.

Round Concrete Foundation for LED Small Pendant Pedestrian Light Pole:



Bolt Hole Template for S/N 50463-7



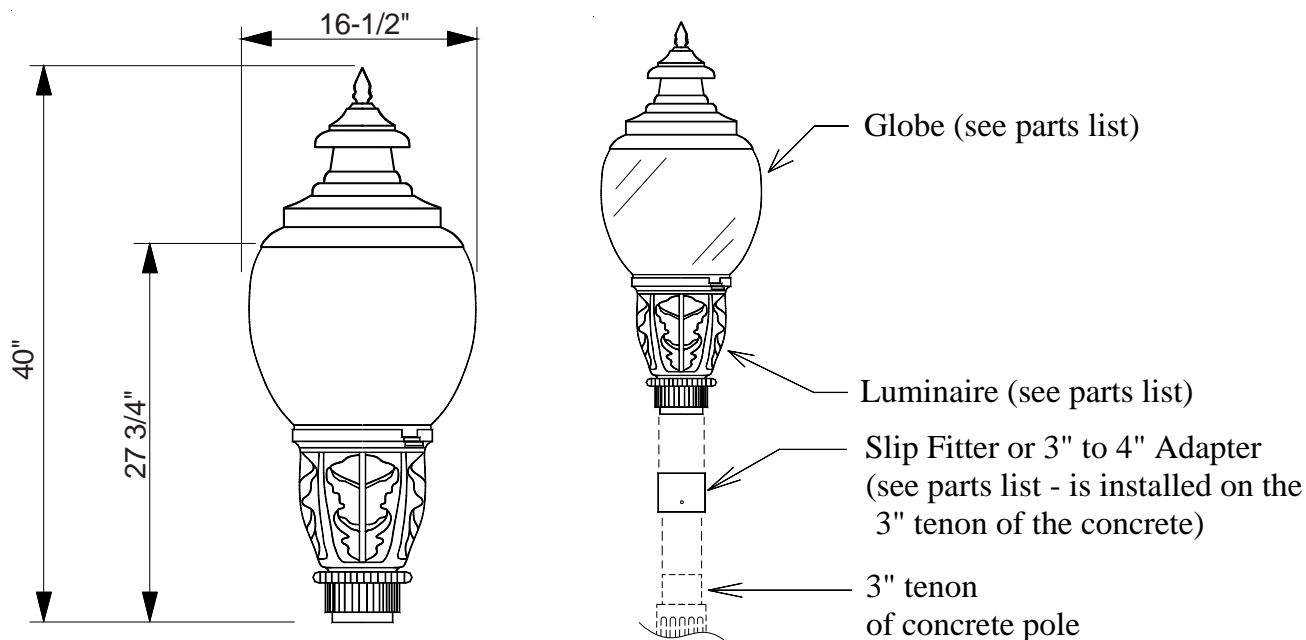
This Page Intensionally Left Blank



LED Acorn Pedestrian Light
(Light Types L52; Pole Type P1)

GRU Lights, Poles and Brackets, cont.

LED Acorn Pedestrian Light:



Description

LED PEDESTRIAN DECORATIVE "ACORN" CUTOFF TYPE LUMINAIRE.

Manufacturer

CYCLONE LIGHTING

Catalog No.

CG42T4-AGAF-SKY3-50W-3K-120-EF2-F2AP-PTDR-R30-CP4026-RAL9005TX

LUMINAIRE SPECIFICATIONS:

WATTAGE: 67

LUMEN OUTPUT: 4731

TENON MOUNT ADAPTER TO CONVERT 3" NOMINAL OD FITTERS FOR USE WITH THE 4" TENON FITTER.

PHOTO CONTROL RECEPTACLE: NEMA TWIST STYLE - 7 PIN (ANSI C136.41)

OPTICAL ASSEMBLY: IES TYPE III

FROSTED CLEAR ACRYLIC GLOBE WITH SPUN ALUMINUM BLACK HOOD AND A CAST ALUMINUM DECORATIVE FINIAL MECHANICALLY ASSEMBLED ON THE TOP OF THE GLOBE.

DECORATIVE POLE TOP MOUNTING ADAPTER BLACK TEXTURED POWDER COAT (RAL9005TX)

PARTS INCLUDE:

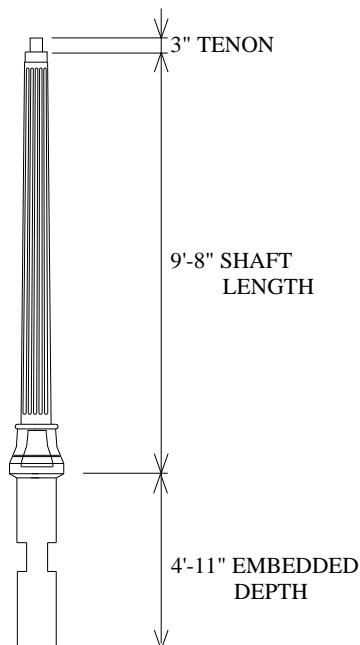
1 - LUMINAIRE

1 - GLOBE

1 - TENON MOUNT ADAPTER (3" TO 4")

GRU Lights, Poles and Brackets, cont.

LED Acorn Pedestrian Light Pole:



Description

DECORATIVE EMBEDDED CONCRETE POLE WITH TENON ATTACHMENT. TO BE USED IN THE RESIDENTIAL AREAS.

Manufacturer

Catalog No.

POLE SPECIFICATIONS:

POLE DIMENSIONS (PER CATALOG):
 TENON: 3" O.D. x 3" HIGH
 SHAFT LENGTH:: 9'-8"
 BURIAL DEPTH: 4'-11"
 OVERALL LENGTH: 14'-10"
 LAMP CENTER: 11'-6"

* AMERON

 TRADITIONAL
 CONCRETE, INC.

FLUTED VICTORIAN
 STYLE II POLE:
 ** VEF-3.0 (6P3)
 WITH ACRYLIC

** POLE COLOR: BLACK
 WEIGHT: 430 LBS. MINIMUM

D120X-MS-EA-3T-BC
 OR

D1210X-MS-EA-3T-BC

* POSSIBLE SUPPLIER:

JAG LIGHTING SOLUTIONS, INC.
 JUDY GRADDY
 1061 CHOKE CHERRY DRIVE
 WINTER SPRINGS, FL 32708
 PHONE: (407) 695-8547
 FAX: (407) 696-3018

** NOTE:

**PAINT HANDHOLE COVER AND TENON
 "BLACK" TO MATCH POLE.**

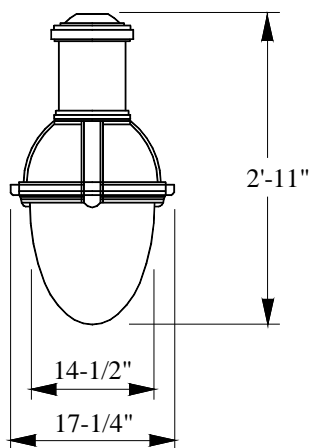
This Page Intensionally Left Blank



LED Teradrop Roadway Light
(Light Types L53, L54; Pole Type P7)

GRU Lights, Poles and Brackets, cont.

LED Teradrop Roadway Light:



Description

LED "REARDROP" ROADWAY LUMINAIRE.

Manufacturer

Catalog No.

LUMINAIRE SPECIFICATIONS:

WATTAGE RANGE:	100 to 120	** CYCLONE LIGHTING	CO12P1UF-DP3GR-
LUMEN OUTPUT RANGE:	8,500 TO 11,500	(MODEL - TEARDROP)	GAL-3-102W-3K-120-
COLOR TEMPERATURE:	3000K		3F-RAL9005TX
PHOTO CONTROL RECEPTACLE:	NEMA TWIST STYLE - 7 PIN (ANSI C136.41)		
OPTICAL ASSEMBLY:	IES TYPE III		
GLOBE:	BOROSILICATE GLASS		
FINISH COLOR:	BLACK		
WEIGHT:	34 LBS.		

LUMINAIRE MOUNTING ARM BRACKETS:

LISTED ON PAGE L-75.27 & L-75.28

ADAPTER BRACKETS:

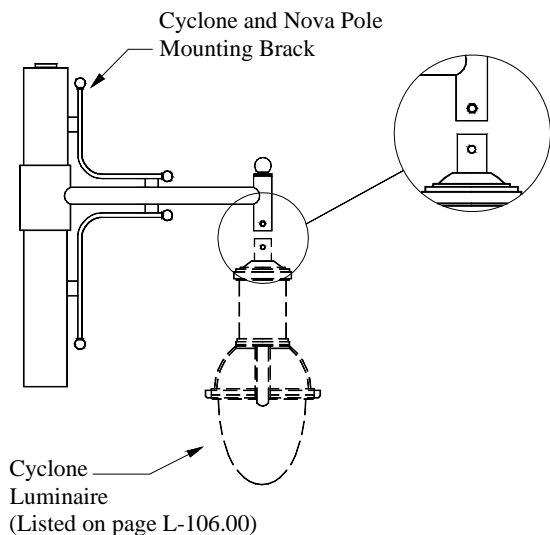
LISTED ON PAGE L-75.26

NOTES:

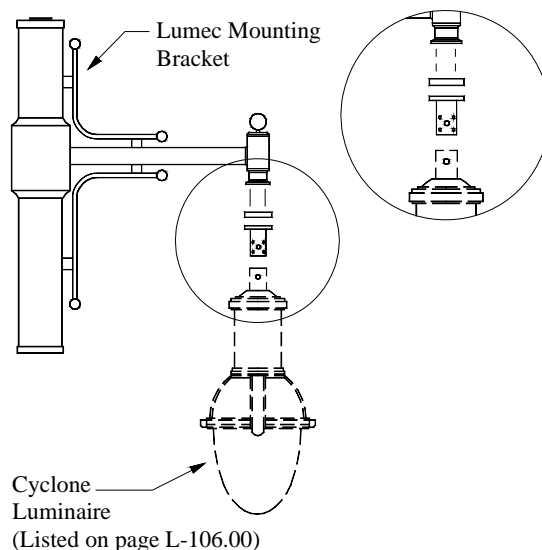
- **1) ADAPTER BRACKET IS REQUIRED WHEN INSTALLED WITH A LUMEC MOUNTING BRACKET.

GRU Lights, Poles and Brackets, cont.

2'-0" & 4'-0" Mounting Arm Brackets For LED Teradrop Roadway Light:



2'-0" MOUNTING ARM BRACKET



4'-0" MOUNTING ARM BRACKET

<u>Description</u>	<u>Manufacturer</u>	<u>Catalog No.</u>
200 W. HIGH PRESSURE SODIUM "RENAISSANCE" ROADWAY LUMINAIRE. LUMINAIRE MOUNTING BRACKETS:		
2'-0" X 2-3/8" ROUND ALUMINUM ARM WELDED. 9" SLIP-FITS OVER 5-9/16" O.D. POLE TENON. COLOR: BLACK	CYCLONE LIGHTING	M205-C1-T60-CP3952/2-3M-PTDR-BK-TX
	NOVA POLE	NPP-MM-5S-24-PTR7-BK-TX
4'-0" X 2-3/8" ROUND ALUMINUM ARM WELDED. 9" SLIP-FITS OVER 5-9/16" O.D. POLE TENON. COLOR: BLACK	CYCLONE LIGHTING	M205-C1-T60-CP3952-3M-PTDR-BK-TX
	NOVA POLE	NPP-MM-5S-48-PTR7-BK-TX

REPLACEMENT PARTS:

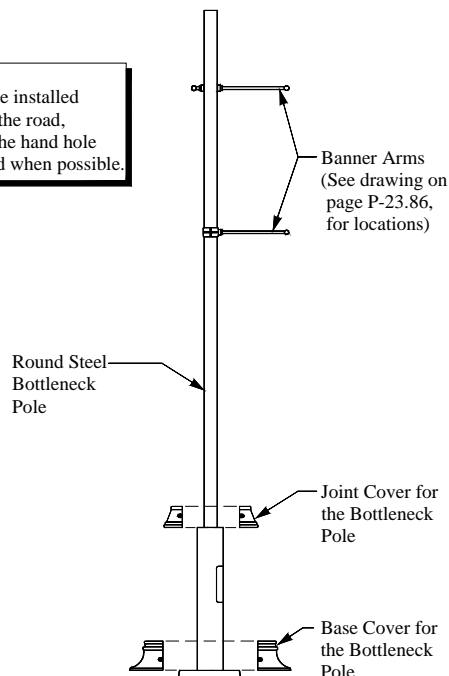
LISTED IN GRU ELECTRIC MATERIALS MANUAL

GRU Lights, Poles and Brackets, cont.

LED Teradrop Roadway Light Pole:

Note:
Joint and Base covers shall be installed with the seams parallel with the road, sidewalk, or parking area. The hand hole shall face away from the road when possible.

THIS POLE REQUIRES A CONCRETE FOUNDATION FOR INSTALLATION PROVIDED BY CUSTOMER. SEE FOUNDATION DRAWING ON PAGE 60 OF THIS DOCUMENT



Description

ROUND STEEL BOTTLENECK POLE WITH BASE AND JOINT COVERS MADE OF TWO PIECES OF CAST ALUMINUM MECHANICALLY FASTENED TO THE BASE AND POLE WITH STAINLESS STEEL SCREWS. THIS POLE IS USED WITH THE 200 W. HIGH PRESSURE SODIUM "RENAISSANCE" LUMINAIRE LISTED ON PAGE L-75.25, IN THIS MANUAL.

SPECIFICATIONS:

SIZE: 5-9/16" DIA. X 26 FEET
ROUND WITH UPPER ARM

MATERIAL: STEEL

COLOR: BLACK

BASE PLATE: 15"

BOLT CIRCLE: 12-1/2"

ANCHOR BOLTS: 1" DIA. X 36"

WEIGHT: 372 LBS.

Manufacturer

LUMEC (PHILIPS)

LUMEC (PHILIPS)

Catalog No.

#SSM8V-26-BK-TX-BAS32-LMS20392A

#BAA1-32-SSM8V-BK-TX

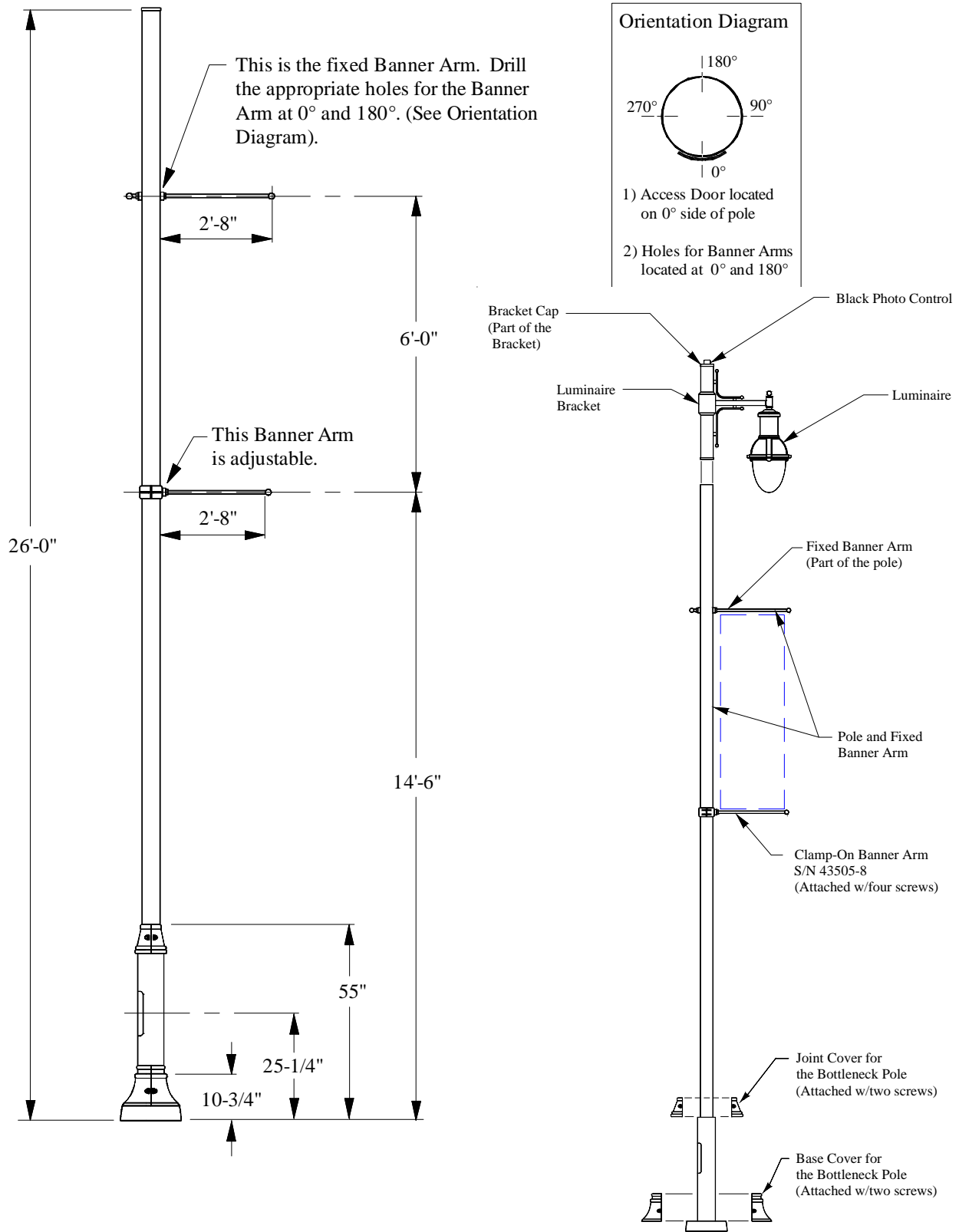
WITH (1) CLAMP-ON LOWER BANNER ARM FOR 5-9/16" OD POLE

PARTS LIST:

- 1 - 5-9/16" X 26'-0" ROUND "BLACK" STEEL POLE
- 1 - TWO (2) PIECE JOINT COVER - BLACK
- 1 - TWO (2) PIECE BACE COVER - BLACK
- MOUNTING HARDWARE (SCREWS)
- 1 - UPPER BANNER ARM
- 1 - CLAMP-ON LOWER BANNER ARM

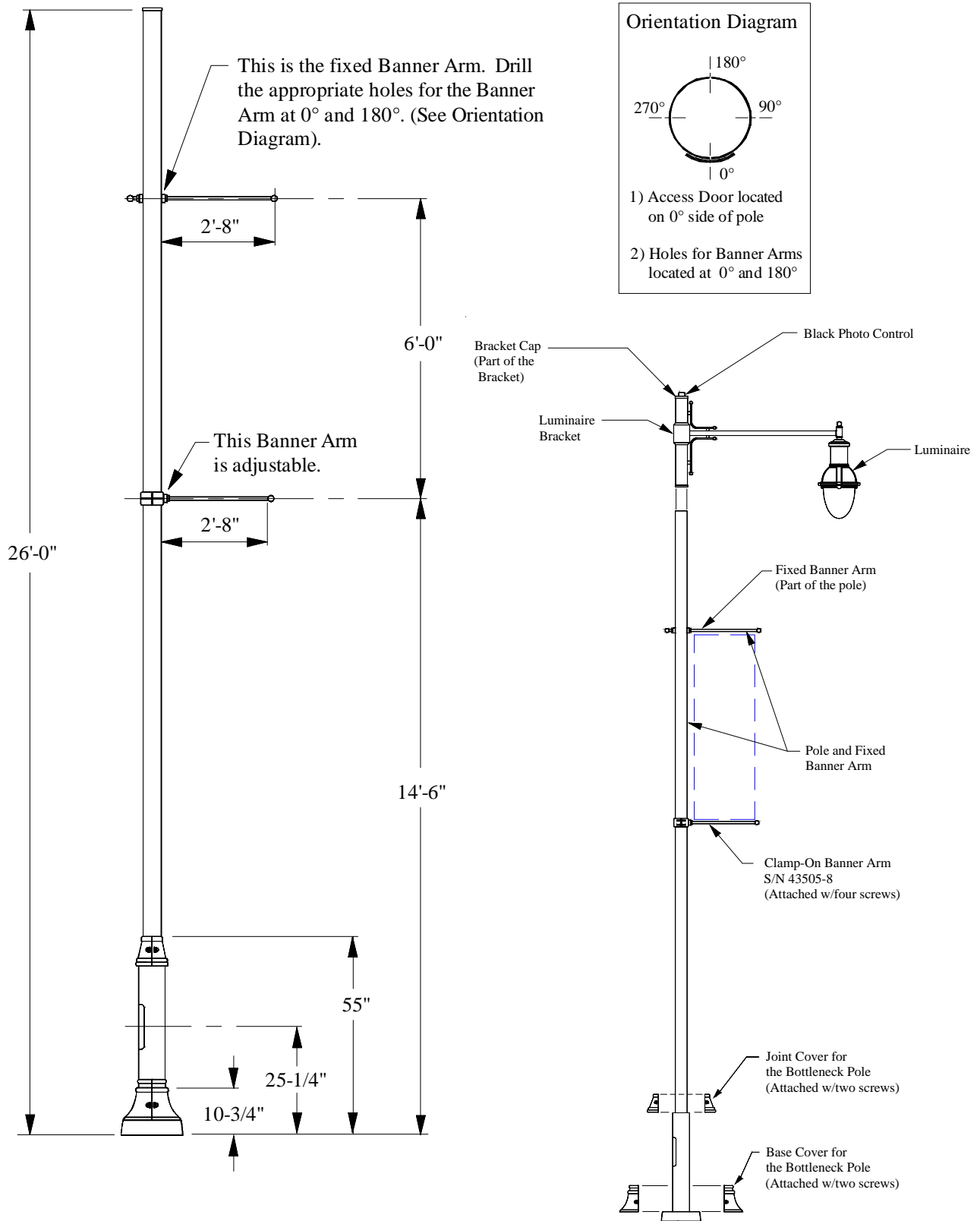
GRU Lights, Poles and Brackets, cont.

LED Teradrop Roadway Light Pole w/2'-0" Mounting Arm Bracket cont.:



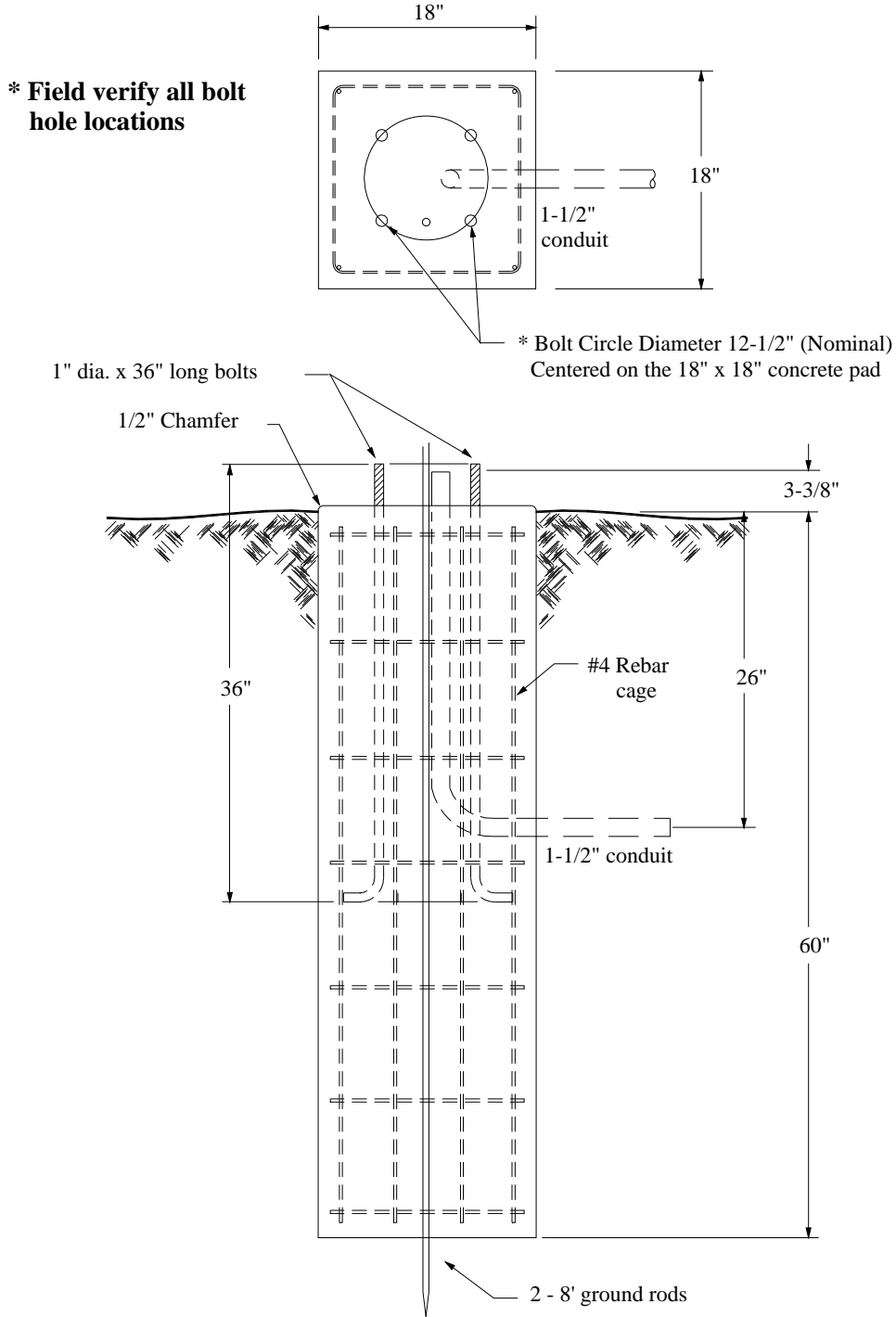
GRU Lights, Poles and Brackets, cont.

LED Teradrop Roadway Light Pole w/4'-0" Mounting Arm Bracket cont.:



GRU Lights, Poles and Brackets, cont.

Square Concrete Foundation for LED Teradrop Roadway Light Pole:



This Page Intensionally Left Blank



Floodlights

(Light Types L57, L58 and L59; Pole Types P9, P13, P16, P19, P8, P12, P15, P18)

GRU Lights, Poles and Brackets, cont.

LED Floodlight 1 (Backyard):



↖ *YOKE/TRUNNON

**THIS FLOODLIGHT IS TO BE USED IN RESIDENTIAL APPLICATIONS
(TO REPLACE A 100W. HPS ROADWAY LIGHTS IN BACKYARDS)**

<u>Description</u>	<u>Manufacturer</u>	<u>Catalog No.</u>
LED FLOODLIGHT 1, DIE-CAST ALUMINUM HOUSING, WITH GALVANIZED STEEL *YOKE/TRUNNON BRACKET AND ** TOP AND SIDE SHIELDS.	EATON LIGHTING	UFLD-C70-D-U-66-Y-AP- 4N7-10MSP-C1405 WITH ** TS2LW/NFFLD-AP
SPECIFICATIONS: LAMP WATTAGE RANGE: 15 TO 25 WATTS LUMEN RANGE: 2,500 TO 3,000 VOLTAGE: 120 - 277 VOLTS (WIRED FOR 120V.) LIGHT DISTRIBUTION (IES): 6 X 6 OR 7 X 6 CCT: 3,000 K. COLOR RENDERING INDEX: 70 OPERATING TEMPERATURE: -4 TO 122 F. SURGE PROTECTION (MIN.): 10kV/5kA PHOTO CONTROL RECEPT: ANSI C136.41 7-PIN CORD TYPE AND LENGTH: 3 #14, 3 FT. (MIN.) COLOR: GRAY WEIGHT: 13 LBS.		

NOTES:

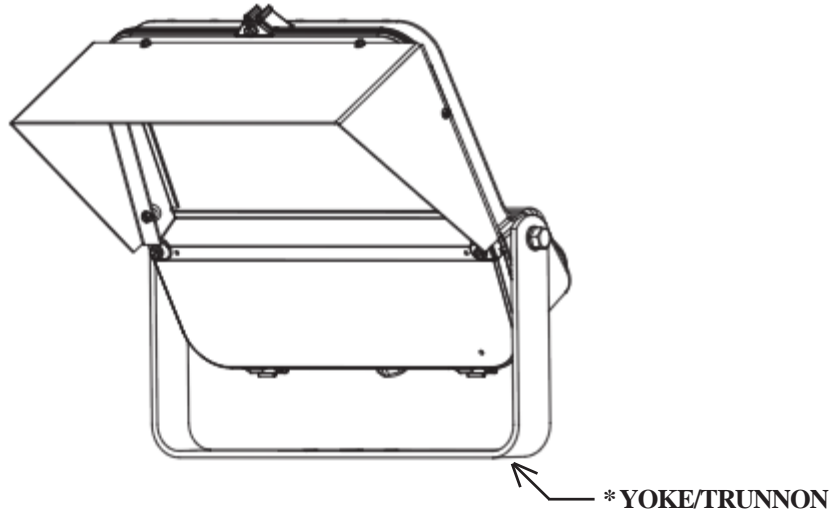
*1) THE YOKE/TRUNNON WILL BE AS SHOWN IN THE ILLUSTRATION ON THIS PAGE.

2) 20 YEAR PHOTOCONTROL LISTED ON ELECTRIC STANDARDS PAGE P-5.45, S/N 58131-3

** 3) TOP AND SIDE SHIELDS SHALL BE PAINTED GRAY OR ALUMINUM (NOT PAINTED) AND BE INCLUDED WITH THE FLOOD LIGHT. SIDE SHIELDS OR VISORS **MUST BE SHIPPED AT THE SAME TIME AS THE FLOODLIGHT AND APPEAR ON THE SAME INVOICE.** (SIDE SHIELDS OR VISORS SHALL BE INSTALLED IN THE FIELD).

GRU Lights, Poles and Brackets, cont.

LED Floodlight 2:



NOT ALL MANUFACTURERS LIGHT WILL LOOK THE SAME

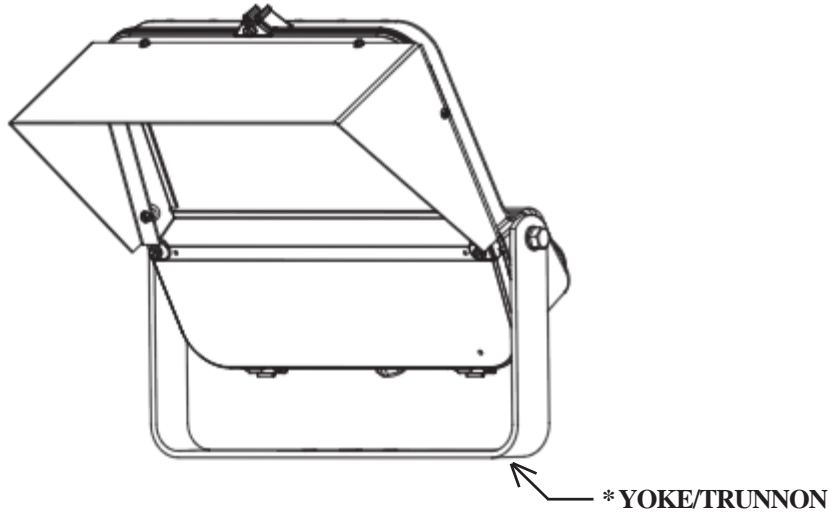
<u>Description</u>	<u>Manufacturer</u>	<u>Catalog No.</u>
LED FLOODLIGHT 2, DIE-CAST ALUMINUM HOUSING, WITH GALVANIZED STEEL *YOKE/TRUNNON BRACKET AND **TOP AND SIDE SHIELDS.		
<u>SPECIFICATIONS:</u>		
LAMP WATTAGE RANGE:	95 TO 125 WATTS	GENERAL ELECTRIC
LUMEN RANGE:	14,000 TO 15,000	EFM1-01-0-CC-66-7-30-A-A-T1-GRAY-R
VOLTAGE:	120 - 277 VOLTS (WIRED FOR 120V.)	WITH ** TSVGRAY-EFM
LIGHT DISTRIBUTION:	6 X 6 OR 7 X 6	
CCT:	3,000 K.	
COLOR RENDERING INDEX:	70	HOWARD LIGHTING
OPERATING TEMPERATURE:	-4 TO 122 F.	UFAMD73YG2R7LA-2
SURGE PROTECTION (MIN.):	10kV/5kA	WITH ** UF-GS
PHOTO CONCTROL RECEPT:	ANSI C136.41 7-PIN	
CORD TYPE AND LENGTH:	3 #14, 3 FT. (MIN.)	EATON
COLOR:	GRAY	UFLD-C40-D-U-66-Y-AP-7030-4N7-10K-C1405-U94906
WEIGHT:	20 TO 30 LBS.	WITH ** TS2/UFLD-AP

NOTES:

- *1) THE YOKE/TRUNNON WILL BE AS SHOWN IN THE ILLUSTRATION ON THIS PAGE.
- 2) 20 YEAR PHOTOCNTROL LISTED ON ELECTRIC STANDARDS PAGE P-5.45, S/N 58131-3
- ** 3) TOP AND SIDE SHIELDS SHALL BE PAINTED GRAY OR ALUMINUM (NOT PAINTED) AND BE INCLUDED WITH THE FLOOD LIGHT. SIDE SHIELDS OR VISORS **MUST BE SHIPPED AT THE SAME TIME AS THE FLOODLIGHT AND APPEAR ON THE SAME INVOICE.** (SIDE SHIELDS OR VISORS SHALL BE INSTALLED IN THE FIELD).

GRU Lights, Poles and Brackets, cont.

LED Floodlight 3:



NOT ALL MANUFACTURERS LIGHT WILL LOOK THE SAME

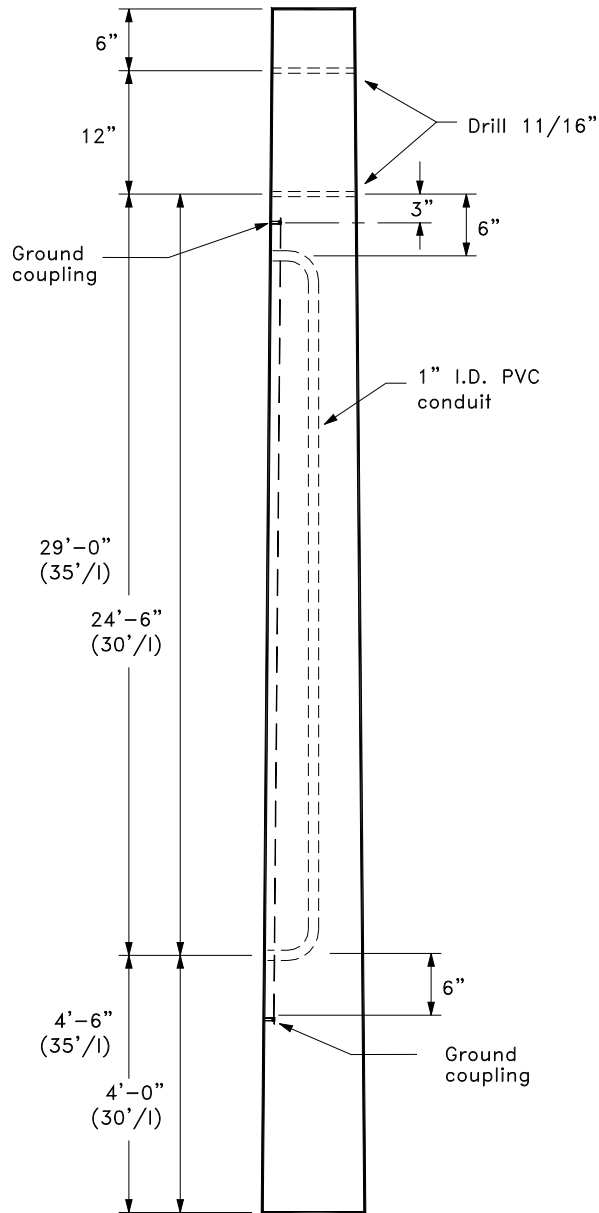
<u>Description</u>	<u>Manufacturer</u>	<u>Catalog No.</u>
LED FLOODLIGHT 3, DIE-CAST ALUMINUM HOUSING, WITH GALVANIZED STEEL *YOKE/TRUNNON BRACKET AND ** TOP AND SIDE SHIELDS.		
<u>SPECIFICATIONS:</u>	GENERAL ELECTRIC	EFM1-01-0-EE-66-7-30-A-A-T1-GRAY-R
LAMP WATTAGE RANGE: 175 TO 200 WATTS		WITH
LUMEN RANGE: 21,000 TO 23,200		** TSVGRAY-EFM
VOLTAGE: 120 - 277 VOLTS (WIRED FOR 120V.)		
LIGHT DISTRIBUTION (IES): 6 X 6 OR 7 X 6	EATON LIGHTING	UFLD-C70-D-U-66-Y-AP-7030-4N7-10-K-C1405
CCT: 3,000 K.		WITH
COLOR RENDERING INDEX: 70		** TS2/UFLD-AP
OPERATING TEMPERATURE: -4 TO 122 F.		
SURGE PROTECTION (MIN.): 10kV/5kA		
PHOTO CONCTROL RECEPT: ANSI C136.41 7-PIN		
CORD TYPE AND LENGTH: 3 #14, 3 FT. (MIN.)		
COLOR: GRAY		
WEIGHT: 20 TO 30 LBS.		

NOTES:

- *1) THE YOKE/TRUNNON WILL BE AS SHOWN IN THE ILLUSTRATION ON THIS PAGE.
- 2) 20 YEAR PHOTOCONTROL LISTED ON ELECTRIC STANDARDS PAGE P-5.45, S/N 58131-3
- ** 3) TOP AND SIDE SHIELDS SHALL BE PAINTED GRAY OR ALUMINUM (NOT PAINTED) AND BE INCLUDED WITH THE FLOOD LIGHT. SIDE SHIELDS OR VISORS **MUST BE SHIPPED AT THE SAME TIME AS THE FLOODLIGHT AND APPEAR ON THE SAME INVOICE.** (SIDE SHIELDS OR VISORS SHALL BE INSTALLED IN THE FIELD).

GRU Lights, Poles and Brackets, cont.

Concrete Pole for Flood Lights:



Description

CONCRETE POLE

HEIGHT/TYPE (APR. WEIGHT):

30/I (1,360 LBS.)

35/I (1,800 LBS.)

Manufacturer

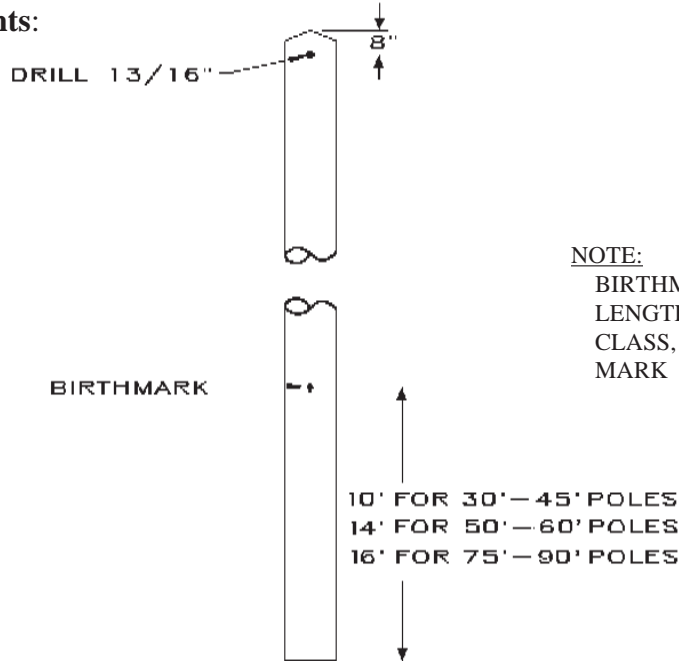
ACCORD INDUSTRIES,
PRESTRESSED POLE DIV.

DURA-STRESS, INC.

Catalog No.

GRU Lights, Poles and Brackets, cont.

Wood Poles for Flood Lights:



NOTE:
BIRTHMARK INCLUDES
LENGTH IN FEET, POLE
CLASS, MANUFACTURER'S
MARK AND YEAR PRODUCED.

<u>Description</u>	<u>Manufacturer</u>	<u>Catalog No.</u>
CCA TREATED WOOD POLE, SOUTHERN PINE	<u>NOTE:</u> MANUFACTURERS ARE LISTED BELOW	
HEIGHT/CLASS (APPROXIMATE WEIGHT:)		
30/6 (606 LBS.)		NONE
35/5 (888 LBS.)		NONE
40/5 (1,104 LBS.)		NONE

APPRIVED MANUFACTURERS:

- | | |
|---|--|
| <p>1. T. R. Miller Mill Co., Inc.
P.O. Box 708
Brewton, Al. 36427 Phone: (205) 867-4331</p> | <p>4. Apalachee Pole Company, Inc.
P. O. Box 7
Graceville, Fl. 32440 Phone: (904) 643-2121
(Send RFQ To:
P.O. Box 68
Bristol, Fl. 32321)</p> |
| <p>2. Atlantic Wood Industries, Inc.
P. O. Box 1608
Savannah, Ga. 31498 Phone: (912) 964-1234</p> | <p>5. Ace Pole Co., Inc.
Waycross Hwy. 82E
P. O. Box 1323
Waycross, Ga. 31501 Phone: (912) 449-4011</p> |
| <p>3. Swift Lumber, Inc.
P. O. Box Drawer 1298
Atmore, Al. 36502 Phone: (205) 368-2138</p> | <p>6. Langdale Forest Products Co.
P.O. Box 1088
Valdosta, GA 31603</p> |